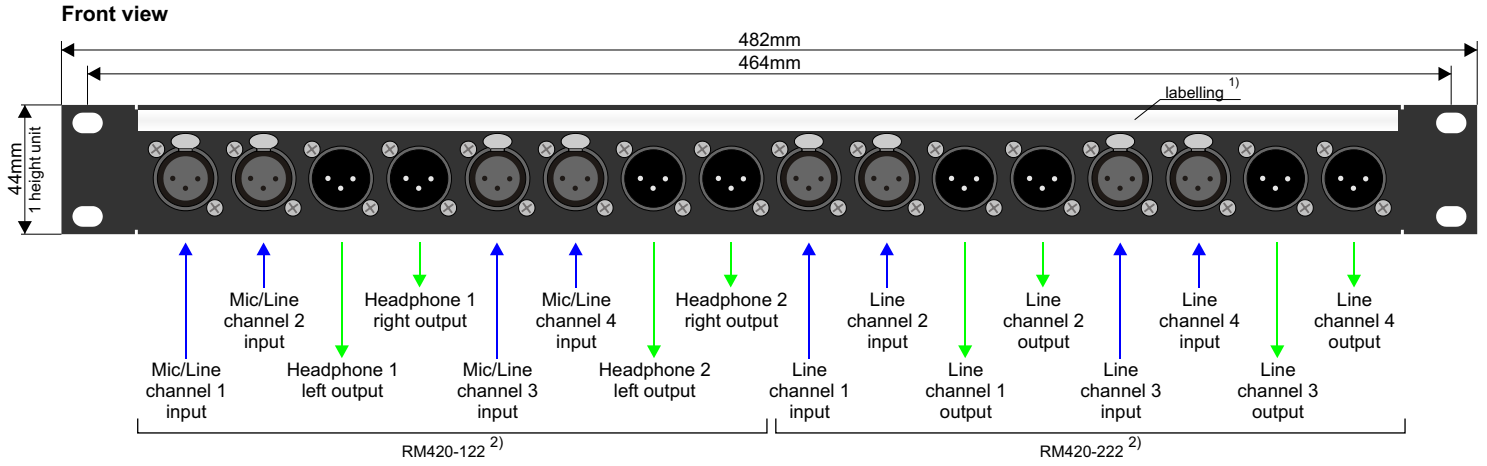
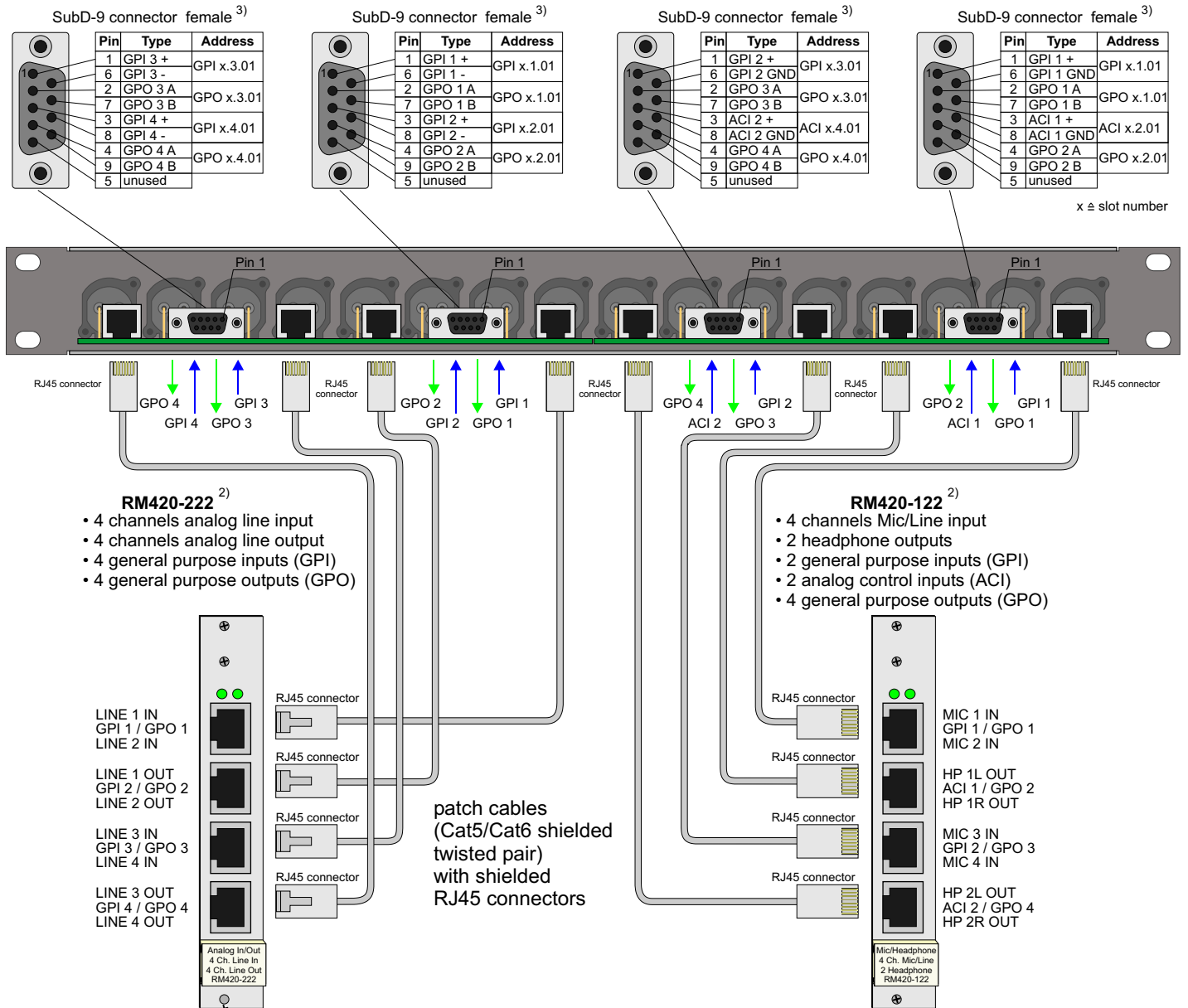


RM420-XLR-AA RJ45/XLR Adapter Panel 1U/19"



Rear view



1) replaceable strip of paper underneath plastic cover

2) RM420-XLR-AA can be used with

• 2 RM420-222/ RM220-222/ RM220-223 or

• 2 RM420-122/ RM220-122 or

• 1 RM420-222/ RM220-222/ RM220-223 and 1 RM420-122/ RM220-122

3) If a RM220-222/ RM220-223 is connected, the "A" at the GPOs stands for "+" and "B" means "-"

Specifications and design are subject to change without notice.

The content of this document is for information only. The information presented in this document does not form part of any quotation or contract, is believed to be accurate and reliable and may be changed without notice. No liability will be accepted by the publisher for any consequence of its use. Publication thereof does neither convey nor imply any license under patent- or other industrial or intellectual property rights.