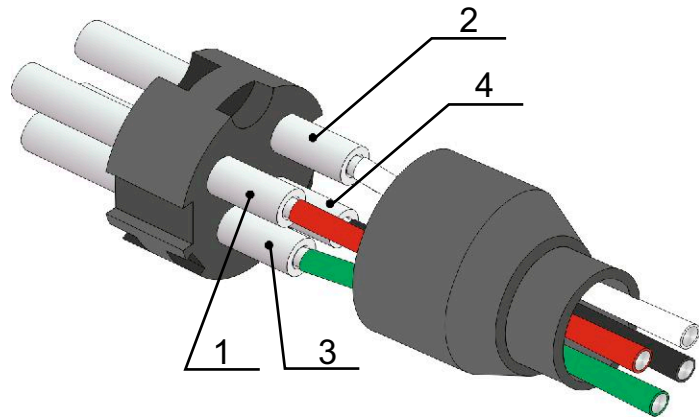
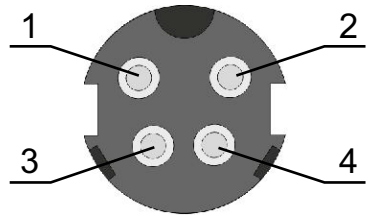


# 52-7484A 4-Pin DC Power DIN / Speakon cable for XC/XD/XS Cores & Concentrators

Length 3 meter, 4x AWG18, outer diameter 6.3mm, black  
(DHD 14390)

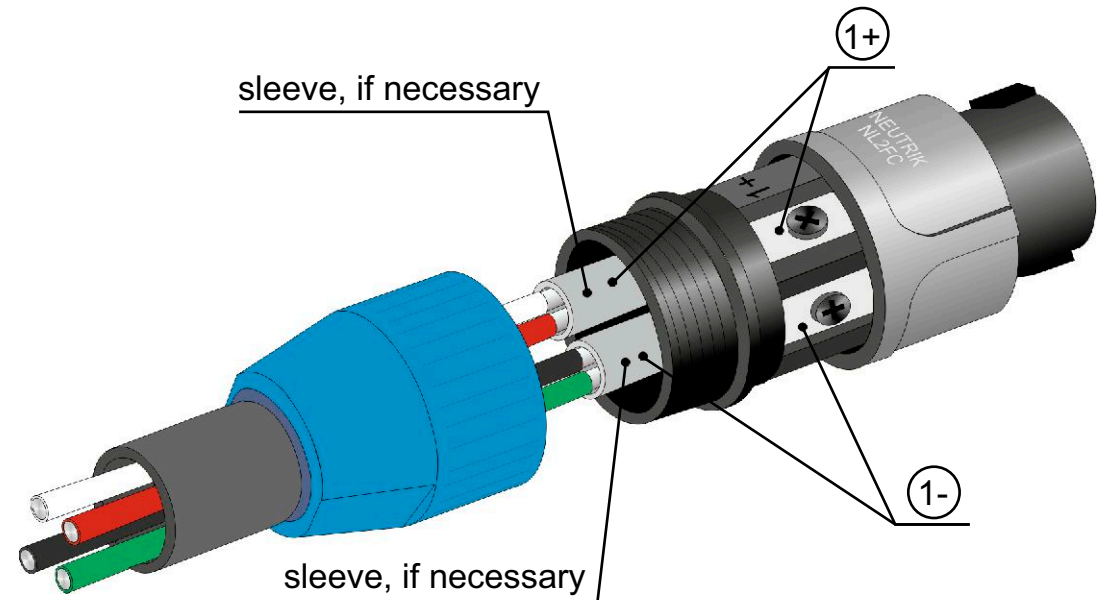
view from solder side



## Pin-Setting:

**Cable Connector 4-Pin Power DIN  
(KYCON KPPX-4P, Multicomp PM4490002-A05)**

- Pin 1: red cable
- Pin 2: white cable
- Pin 3: green cable
- Pin 4: black cable



## Pin-Setting:

**Cable Connector  
NEUTRIK NL2FC**

- Pin 1+: red cable  
white cable
- Pin 1-: black cable  
green cable