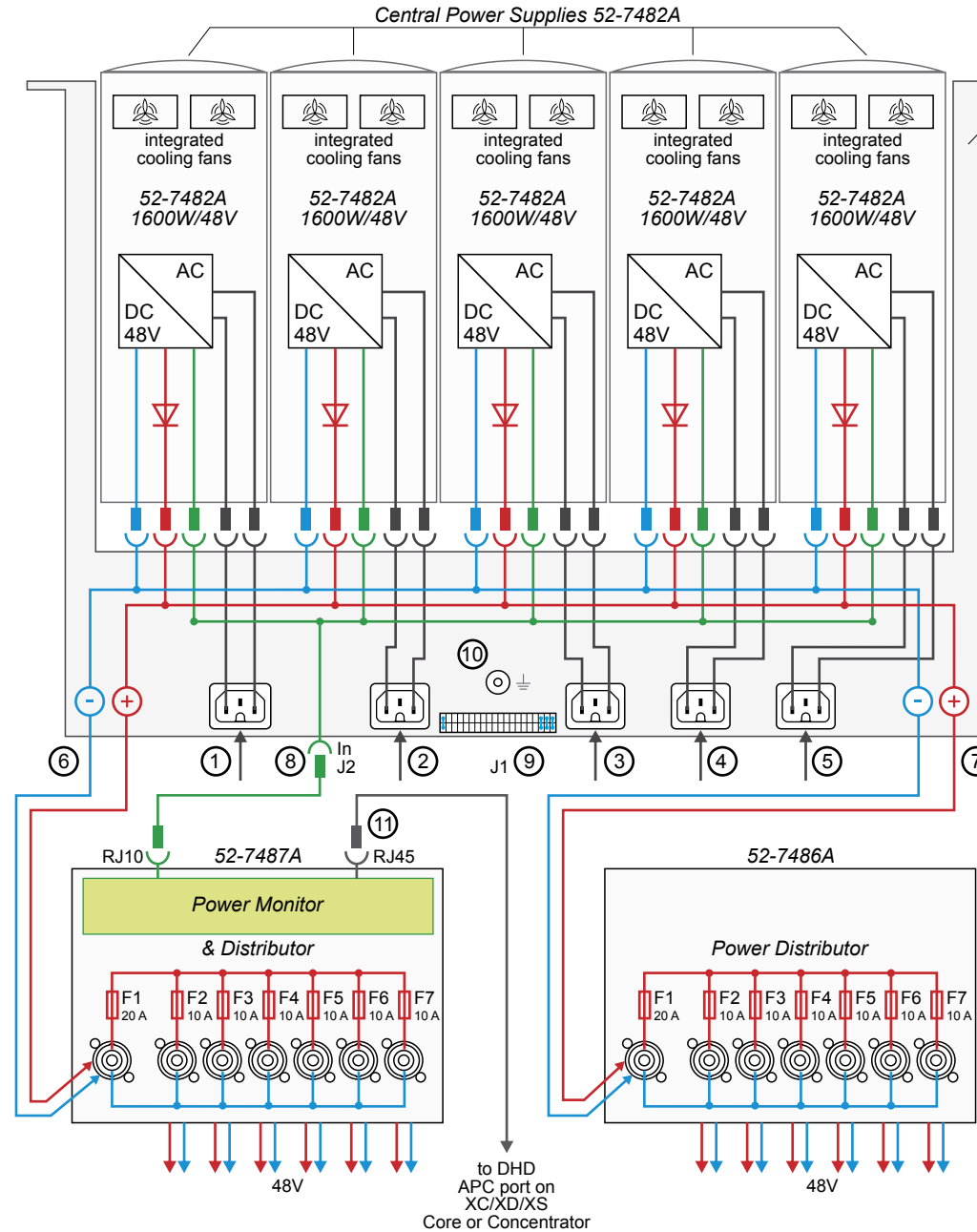


# Central Power Supply - Overview



Central Power Rack, 19"/1U  
52-7481A

- F1 ... F7 Automotive Fuses type ATO (19,05 mm x 5,08 mm)
- F1 factory default: 20 A
- F2 ... F6 factory default: 10 A