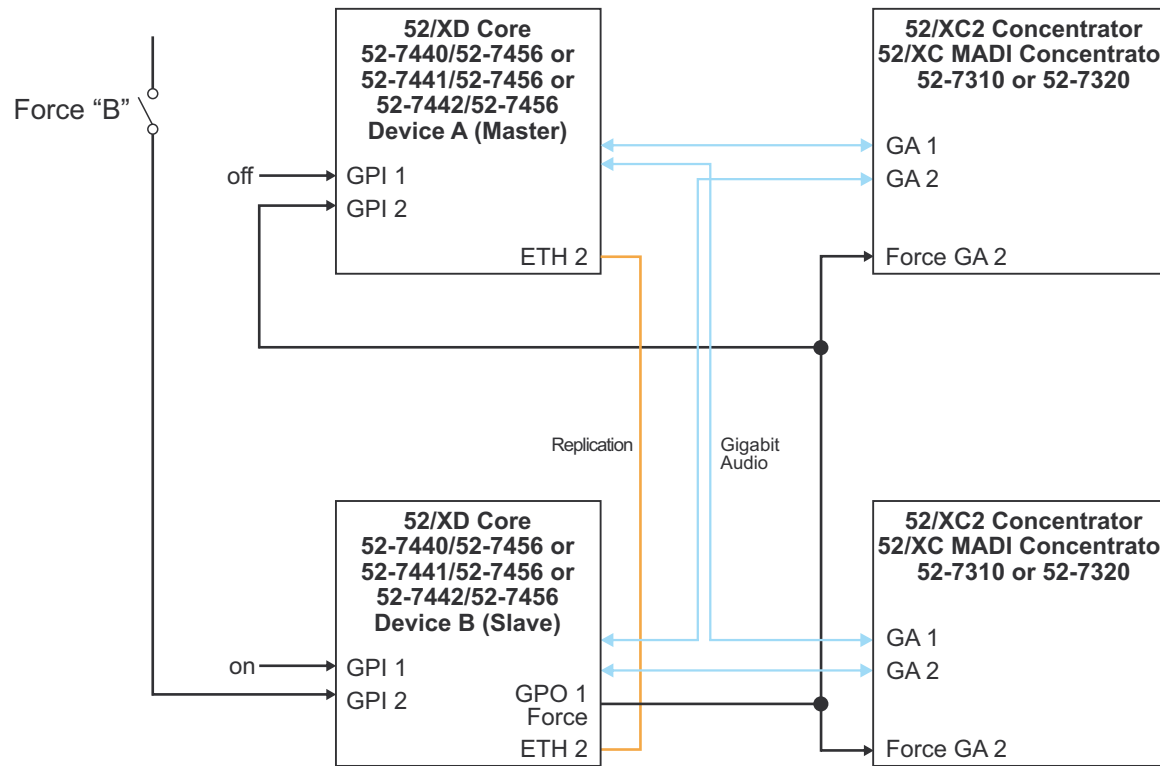


Redundancy concept for 52/XD2 Cores and Concentrators



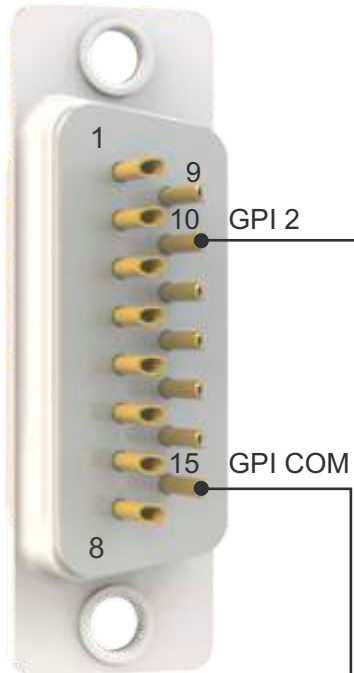
Specifications and design are subject to change without notice. The content of this document is for information only. The information presented in this document does not form part of any quotation or contract, is believed to be accurate and reliable and may be changed without notice. No liability will be accepted by the publisher for any consequence of its use. Publication thereof does neither convey nor imply any license under patent- or other industrial or intellectual property rights.

External wiring for a redundant 52/XD2 Core system with Concentrators

52/XD2 Core - Device A

connects to the
52-7456 Status port

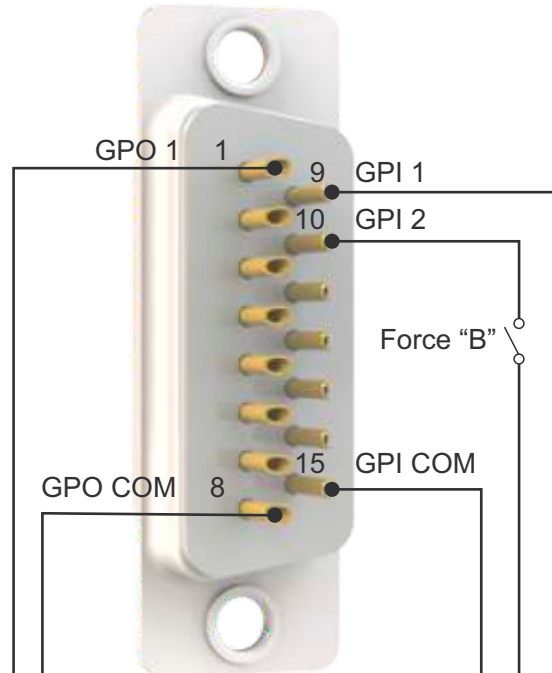
DSub-15 male (rear view)



52/XD2 Core - Device B

connects to the
52-7456 Status port

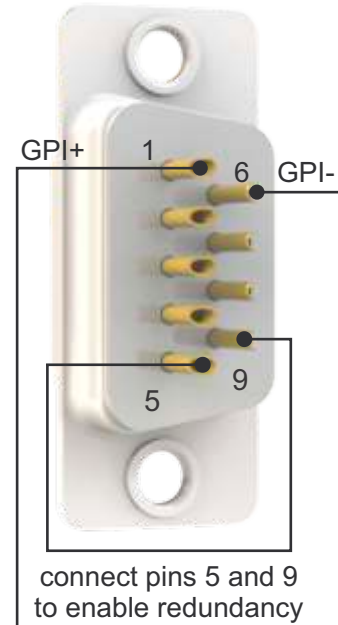
DSub-15 male (rear view)



52/XC2 Concentrator

connects to the
52-7310 Status port

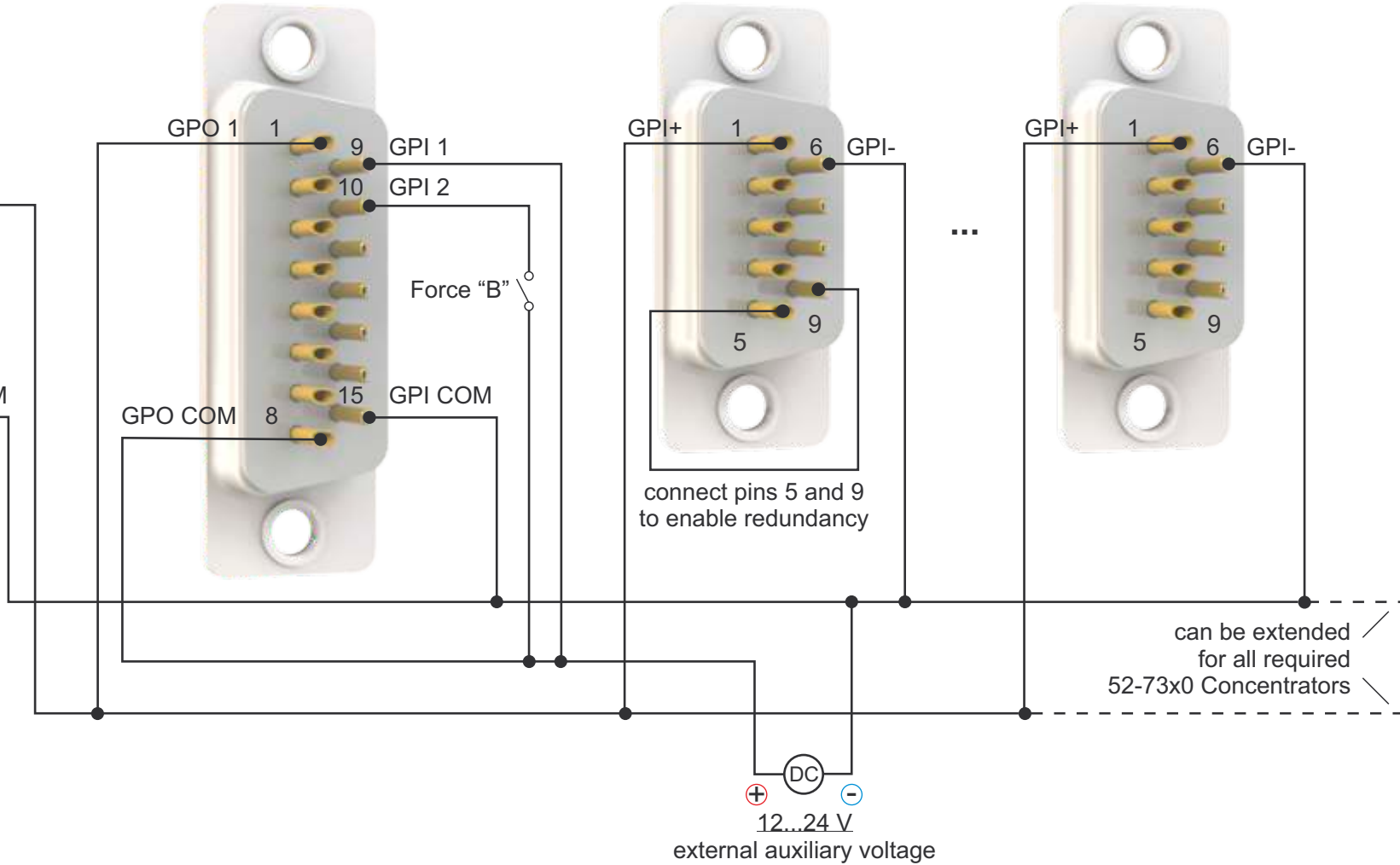
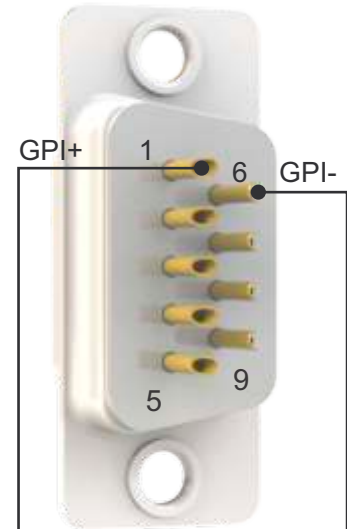
DSub-9 male (rear view)



52/XC MADI Concentrator

connects to the
52-7320 Status port

DSub-9 male (rear view)



Note: additional status information available via GPO, these are not shown in this drawing

Specifications and design are subject to change without notice. The content of this document is for information only. The information presented in this document does not form part of any quotation or contract, is believed to be accurate and reliable and may be changed without notice. No liability will be accepted by the publisher for any consequence of its use. Publication thereof does neither convey nor imply any license under patent- or other industrial or intellectual property rights.