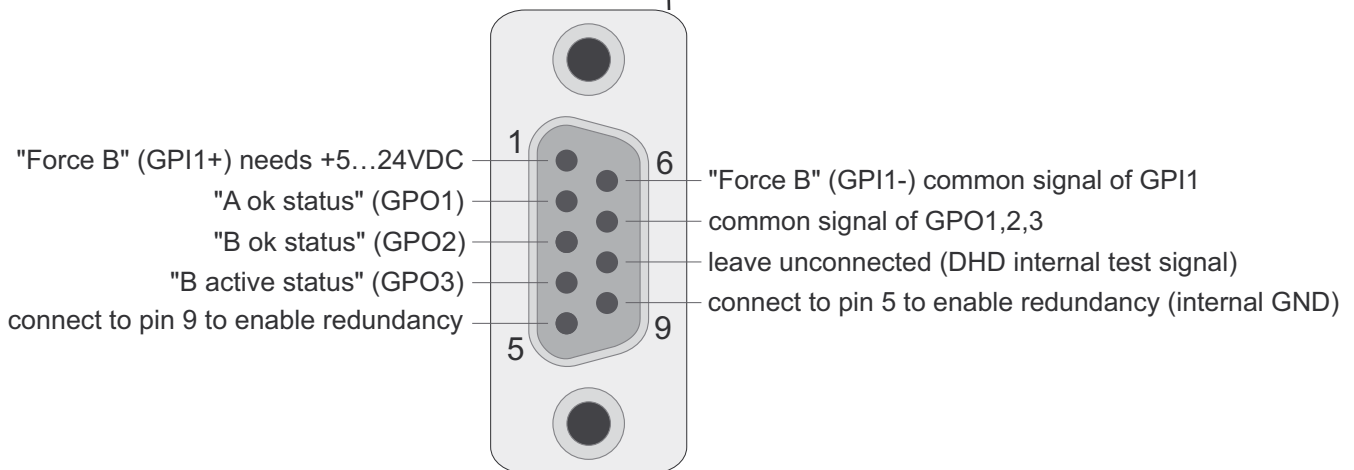


52-7310 in Redundancy Mode

D-Sub 9 - Status connector - Pin Assignment



Notes:

Do not connect pins 8, 5, 9 to any other circuit, do not use externally - this may damage the device!

Connect (bridge) pin 5 and pin 9 to enable redundancy operation mode!

GPI: ON voltage 5 V ... 24 V (DC) without external resistor, internal current limiter, to 4 mA current for ON, OFF voltage: 0 V ... + 1.5 V, isolated from remaining circuits, also isolated from GPO circuit

GPO: maximum rated current: 0,2A (resettable fuse), maximum peak switched, voltage: 30V AC or DC, isolated from remaining circuits, also isolated from GPI circuit

Pin 1 is on the upper right corner of the female Sub-D 9-pin connector on the concentrator.

Specifications and design are subject to change without notice.

The content of this document is for information only. The information presented in this document does not form part of any quotation or contract, is believed to be accurate and reliable and may be changed without notice. No liability will be accepted by the publisher for any consequence of its use. Publication thereof does neither convey nor imply any license under patent- or other industrial or intellectual property rights.