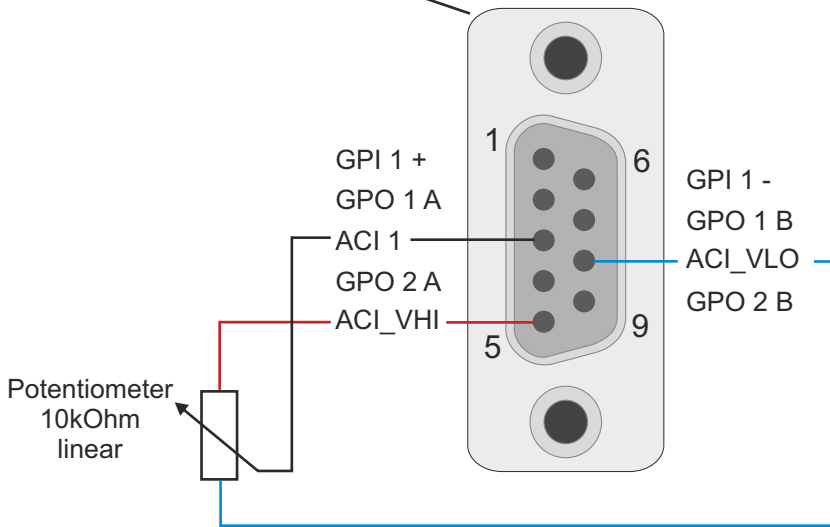


52-7235 Pin Assignment

D-Sub 9 - connector 1



SubD-9 connector female

Pin	Type	Label
1	GPI 1 +	GPI1
6	GPI 1 -	
2	GPO 1 A	GPO1
7	GPO 1 B	
3	ACI 1	ACI1
8	ACI_VLO	
5	ACI_VHI	
4	GPO 2 A	GPO2
9	GPO 2 B	

GPI - general purpose input
 GPO - general purpose output
 ACI - analog control input

Notes:

GPI: ON voltage 5 V ... 24 V (DC) without external resistor, internal current limiter to 4 mA current for ON, OFF voltage: 0 V ... + 1.5 V

GPO: maximum rated current: 0,2A (resettable fuse), maximum peak switched voltage: 30V DC

Do not use any of the ACI signals for other purposes than wiring to the potentiometer!

ACI_VLO must not be connected to chassis, housing, earth, shield or other common signals!

The potentiometer must have a resistance value of 10kOhms (linear)!

ACI_VHI, ACI_VLO of connectors 1 to 4 are internally connected.

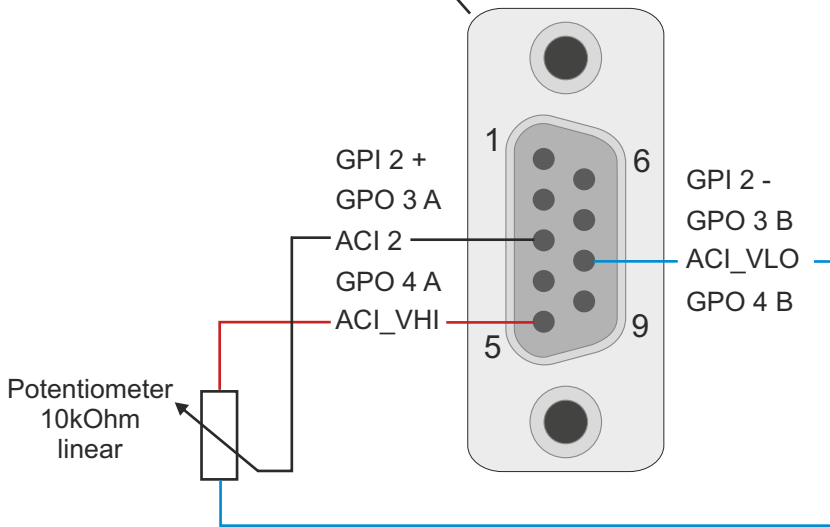
Compatible to RM420-122 / RM420-XLR-AA except ACI-VHI!

Specifications and design are subject to change without notice.

The content of this document is for information only. The information presented in this document does not form part of any quotation or contract, is believed to be accurate and reliable and may be changed without notice. No liability will be accepted by the publisher for any consequence of its use. Publication thereof does neither convey nor imply any license under patent- or other industrial or intellectual property rights.

52-7235 Pin Assignment

D-Sub 9 - connector 2



SubD-9 connector female

Pin	Type	Label
1	GPI 2 +	GPI2
6	GPI 2 -	
2	GPO 3 A	GPO3
7	GPO 3 B	
3	ACI 2	ACI2
8	ACI_VLO	
5	ACI_VHI	
4	GPO 4 A	GPO4
9	GPO 4 B	

GPI - general purpose input
 GPO - general purpose output
 ACI - analog control input

Notes:

GPI: ON voltage 5 V ... 24 V (DC) without external resistor, internal current limiter to 4 mA current for ON, OFF voltage: 0 V ... + 1.5 V

GPO: maximum rated current: 0,2A (resettable fuse), maximum peak switched voltage: 30V DC

Do not use any of the ACI signals for other purposes than wiring to the potentiometer!

ACI_VLO must not be connected to chassis, housing, earth, shield or other common signals!

The potentiometer must have a resistance value of 10kOhms (linear)!

ACI_VHI, ACI_VLO of connectors 1 to 4 are internally connected.

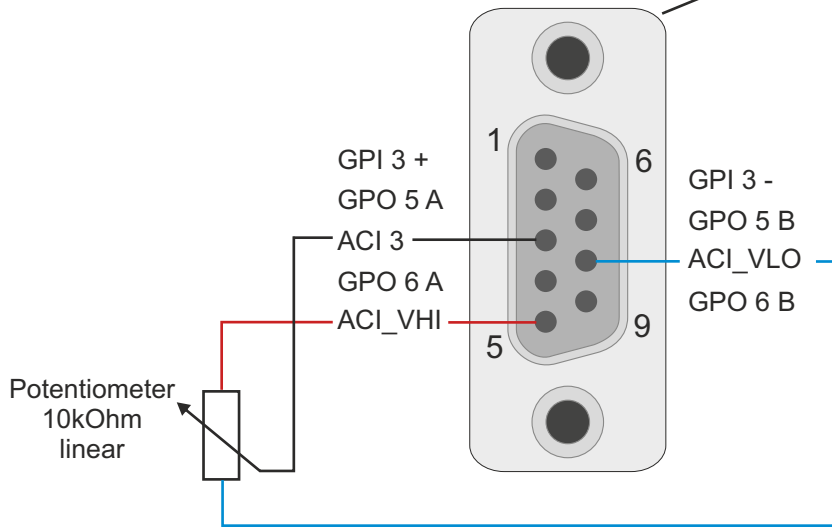
Compatible to RM420-122 / RM420-XLR-AA except ACI-VHI!

Specifications and design are subject to change without notice.

The content of this document is for information only. The information presented in this document does not form part of any quotation or contract, is believed to be accurate and reliable and may be changed without notice. No liability will be accepted by the publisher for any consequence of its use. Publication thereof does neither convey nor imply any license under patent- or other industrial or intellectual property rights.

52-7235 Pin Assignment

D-Sub 9 - connector 3



SubD-9 connector female

Pin	Type	Label
1	GPI 3 +	GPI3
6	GPI 3 -	
2	GPO 5 A	GPO5
7	GPO 5 B	
3	ACI 3	ACI3
8	ACI_VLO	
5	ACI_VHI	
4	GPO 6 A	GPO6
9	GPO 6 B	

GPI - general purpose input
 GPO - general purpose output
 ACI - analog control input

Notes:

GPI: ON voltage 5 V ... 24 V (DC) without external resistor, internal current limiter to 4 mA current for ON, OFF voltage: 0 V ... + 1.5 V

GPO: maximum rated current: 0,2A (resettable fuse), maximum peak switched voltage: 30V DC

Do not use any of the ACI signals for other purposes than wiring to the potentiometer!

ACI_VLO must not be connected to chassis, housing, earth, shield or other common signals!

The potentiometer must have a resistance value of 10kOhms (linear)!

ACI_VHI, ACI_VLO of connectors 1 to 4 are internally connected.

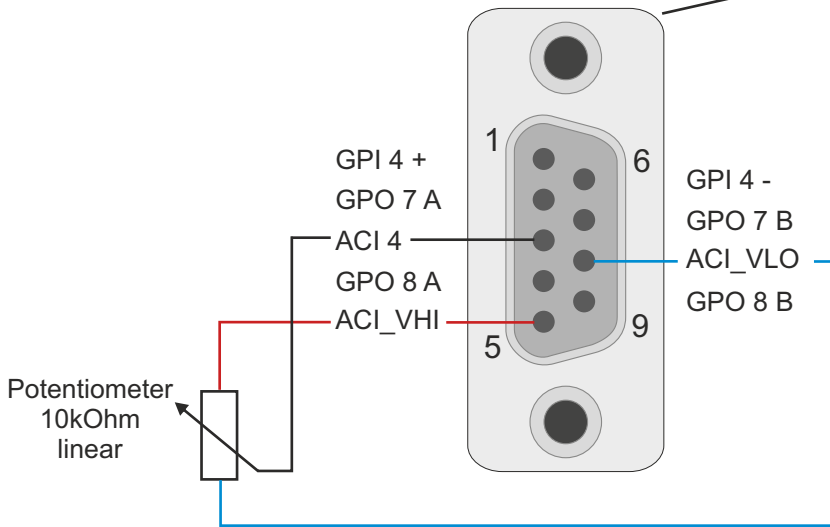
Compatible to RM420-122 / RM420-XLR-AA except ACI-VHI!

Specifications and design are subject to change without notice.

The content of this document is for information only. The information presented in this document does not form part of any quotation or contract, is believed to be accurate and reliable and may be changed without notice. No liability will be accepted by the publisher for any consequence of its use. Publication thereof does neither convey nor imply any license under patent- or other industrial or intellectual property rights.

52-7235 Pin Assignment

D-Sub 9 - connector 4



SubD-9 connector female

Pin	Type	Label
1	GPI 4 +	GPI4
6	GPI 4 -	
2	GPO 7 A	GPO7
7	GPO 7 B	
3	ACI 4	ACI4
8	ACI_VLO	
5	ACI_VHI	
4	GPO 8 A	GPO8
9	GPO 8 B	

GPI - general purpose input
 GPO - general purpose output
 ACI - analog control input

Notes:

GPI: ON voltage 5 V ... 24 V (DC) without external resistor, internal current limiter to 4 mA current for ON, OFF voltage: 0 V ... + 1.5 V

GPO: maximum rated current: 0,2A (resettable fuse), maximum peak switched voltage: 30V DC

Do not use any of the ACI signals for other purposes than wiring to the potentiometer!

ACI_VLO must not be connected to chassis, housing, earth, shield or other common signals!

The potentiometer must have a resistance value of 10kOhms (linear)!

ACI_VHI, ACI_VLO of connectors 1 to 4 are internally connected.

Compatible to RM420-122 / RM420-XLR-AA except ACI-VHI!

Specifications and design are subject to change without notice.

The content of this document is for information only. The information presented in this document does not form part of any quotation or contract, is believed to be accurate and reliable and may be changed without notice. No liability will be accepted by the publisher for any consequence of its use. Publication thereof does neither convey nor imply any license under patent- or other industrial or intellectual property rights.