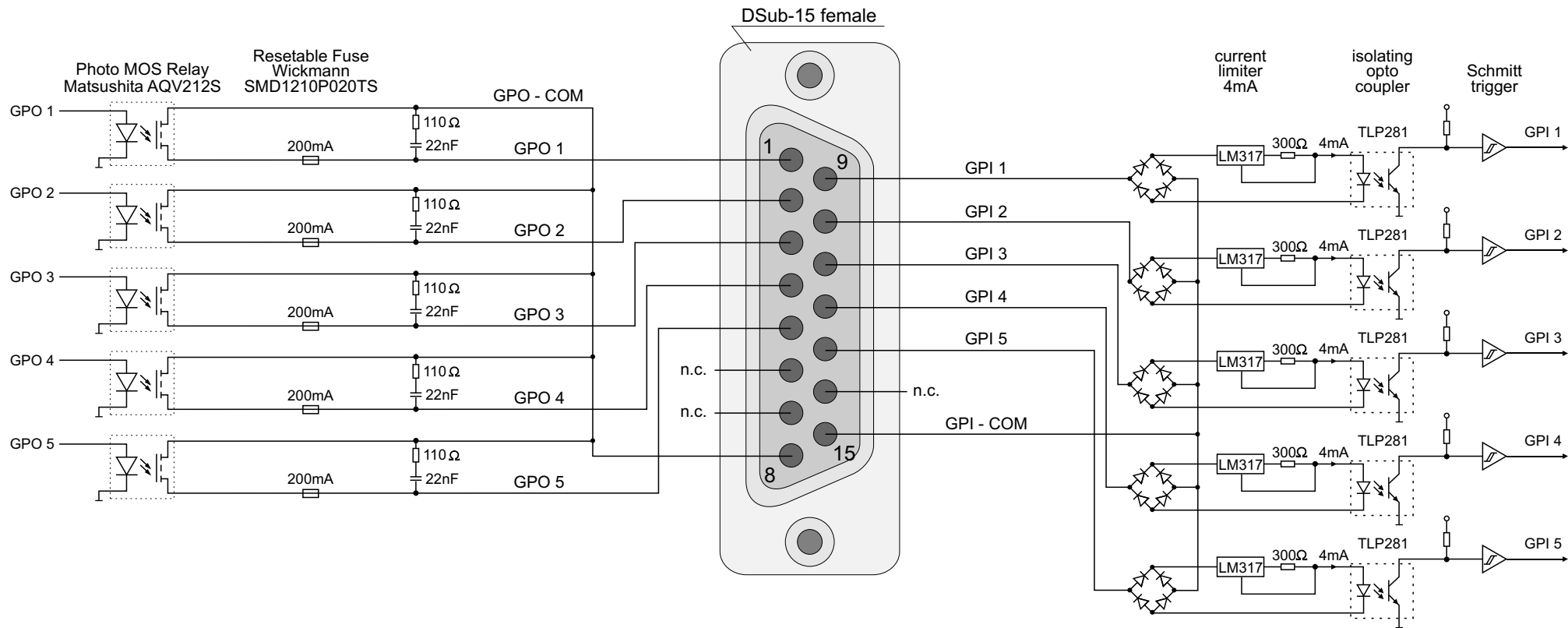


52-6509 Internal circuit



n.c. - not connected, leave unconnected / unwired, reserved for future use

Notes:

GPI and GPO sections are isolated from each other and from the modules internal circuits.

GPI section uses common wire GPI_COM for all 5 GPIs. Polarity of DC between GPIs and GPI_COM is don't care.

GPI: ON voltage 5 V ... 24 V (DC) without external resistor, internal current limiter to 4 mA current for ON, OFF voltage: 0 V ... + 1.5 V

GPO section uses common wire GPO_COM for all 5 GPOs. Polarity of DC between GPOs and GPO_COM is don't care.

GPO: maximum rated current: 0,2A (resettable fuse), maximum peak switched voltage: 30V AC or DC

Configuration (Toolbox5):

Depending on console frame type and size use the modules 52-6510 (Q-Panel) or 52-4505 (Upper Modules) or 52-4411 (Lower Modules) for configuration.

Use Push Buttons number 1...5 and the red LED colour of each button for configuration.

Specifications and design are subject to change without notice.

The content of this document is for information only. The information presented in this document does not form part of any quotation or contract, is believed to be accurate and reliable and may be changed without notice. No liability will be accepted by the publisher for any consequence of its use. Publication thereof does neither convey nor imply any license under patent- or other industrial or intellectual property rights.