

Cutout for Console Frame of Mixing Console 52/MX.  
For dimensions of Console Frame, see next page!

**DHD.audio**

DHD audio GmbH  
Haferkornstraße 5 Tel.: +49 (0)341 5897020  
04129 Leipzig Fax: +49 (0)341 5897022  
Germany E-Mail: dhd@dhd-audio.de

Scale:

Dimensions cutout for Console Frame  
of Mixing Consoles 52/MX

Name: Miethling

Date: 14.08.2017

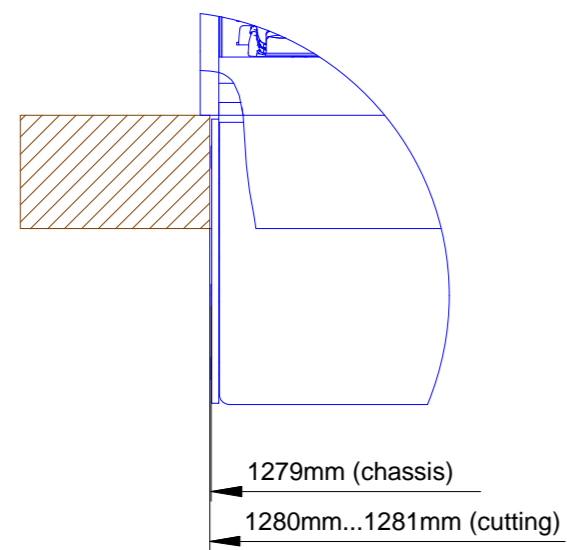
File: 52-4830f\_dimension.dwg

52-4830F

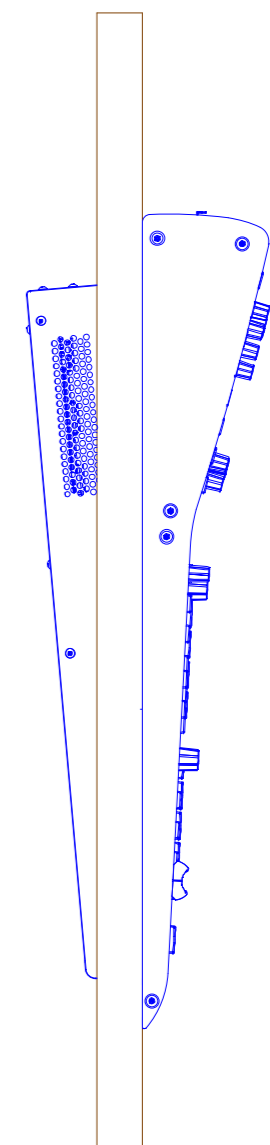
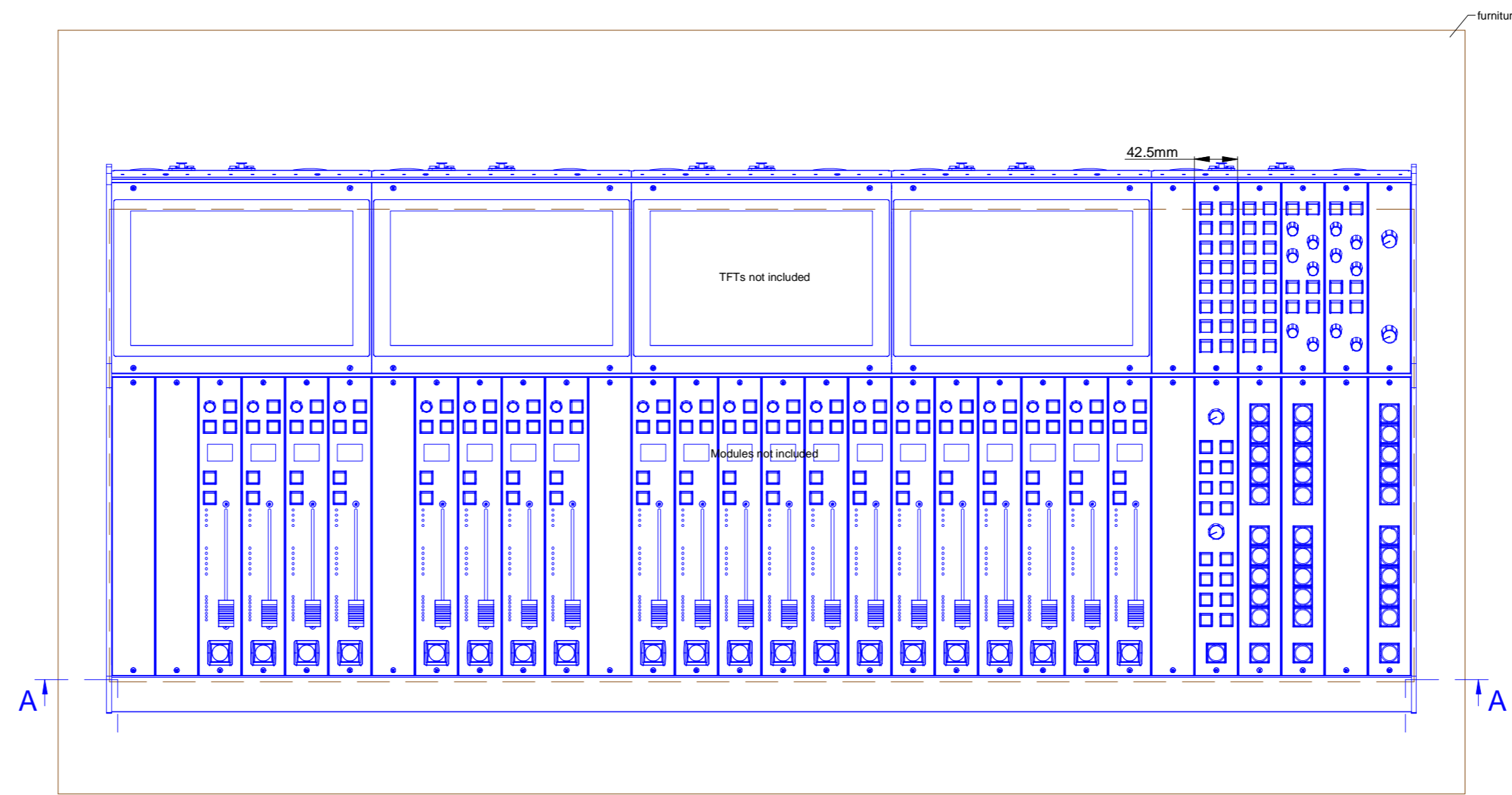
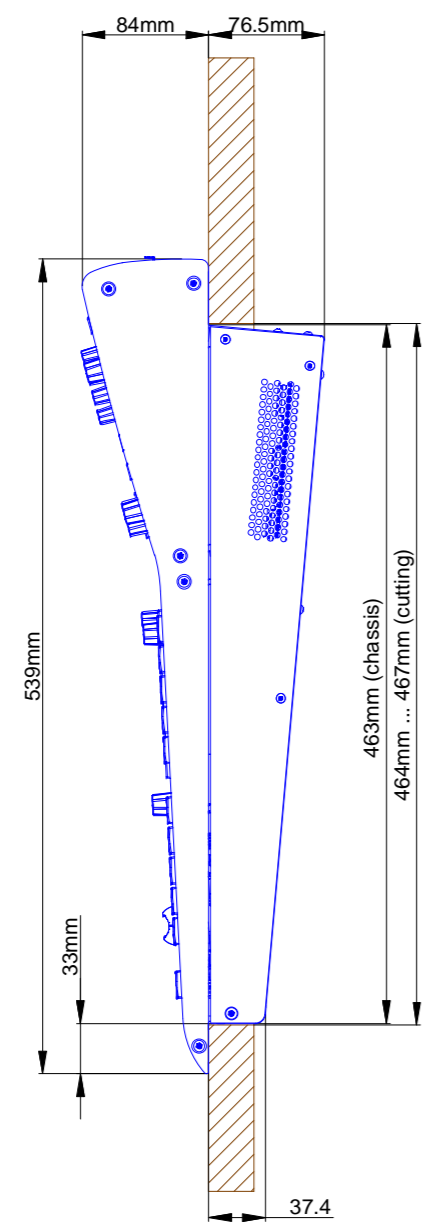
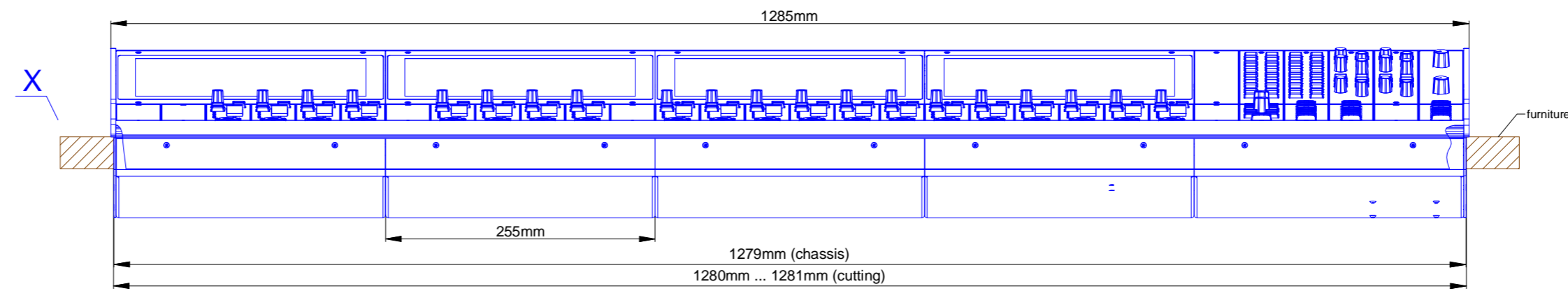
Page:

1/2

view X, scale 1:2



cut A - A



Specifications and design are subject to change without notice. The content of this document is for information only. The information presented in this document does not form part of any quotation or contract, is believed to be accurate and reliable and may be changed without notice. No liability will be accepted by the publisher for any consequence of its use. Publication thereof does neither convey nor imply any license under patent- or other industrial or intellectual property rights.

**DHD.audio**  
DHD audio GmbH  
Haferkornstraße 5  
04129 Leipzig  
Germany  
Tel.: +49 (0)341 5897020  
Fax: +49 (0)341 5897022  
E-Mail: dhd@dhd-audio.de  
Name: Miething  
Date: 14.08.2017  
File: 52-4830f\_dimension.dwg

Scale: 1:5 (DIN A2)

Dimensions 52/MX L/S-size Console Frame with metal side panels  
30 positions, L-size 293x42.5mm/ S-size 193x42.5mm

52-4830F

Page:  
2/2