

Cutout for Console Frame of Mixing Console 52/MX.
For dimensions of Console Frame, see next page!

DHD.audio

DHD audio GmbH
Haferkornstraße 5 Tel.: +49 (0)341 5897020
04129 Leipzig Fax: +49 (0)341 5897022
Germany E-Mail: dhd@dhd-audio.de

Scale:

**Dimensions cutout for Console Frame
of Mixing Consoles 52/MX**

Name: Miethling

Date: 14.08.2017

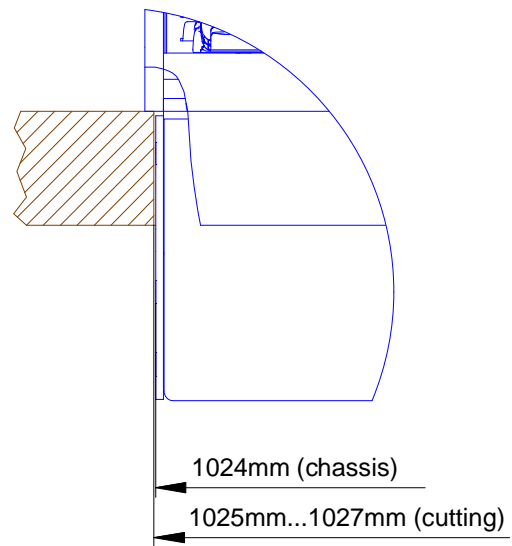
File: 52-4824f_dimension.dwg

52-4824F

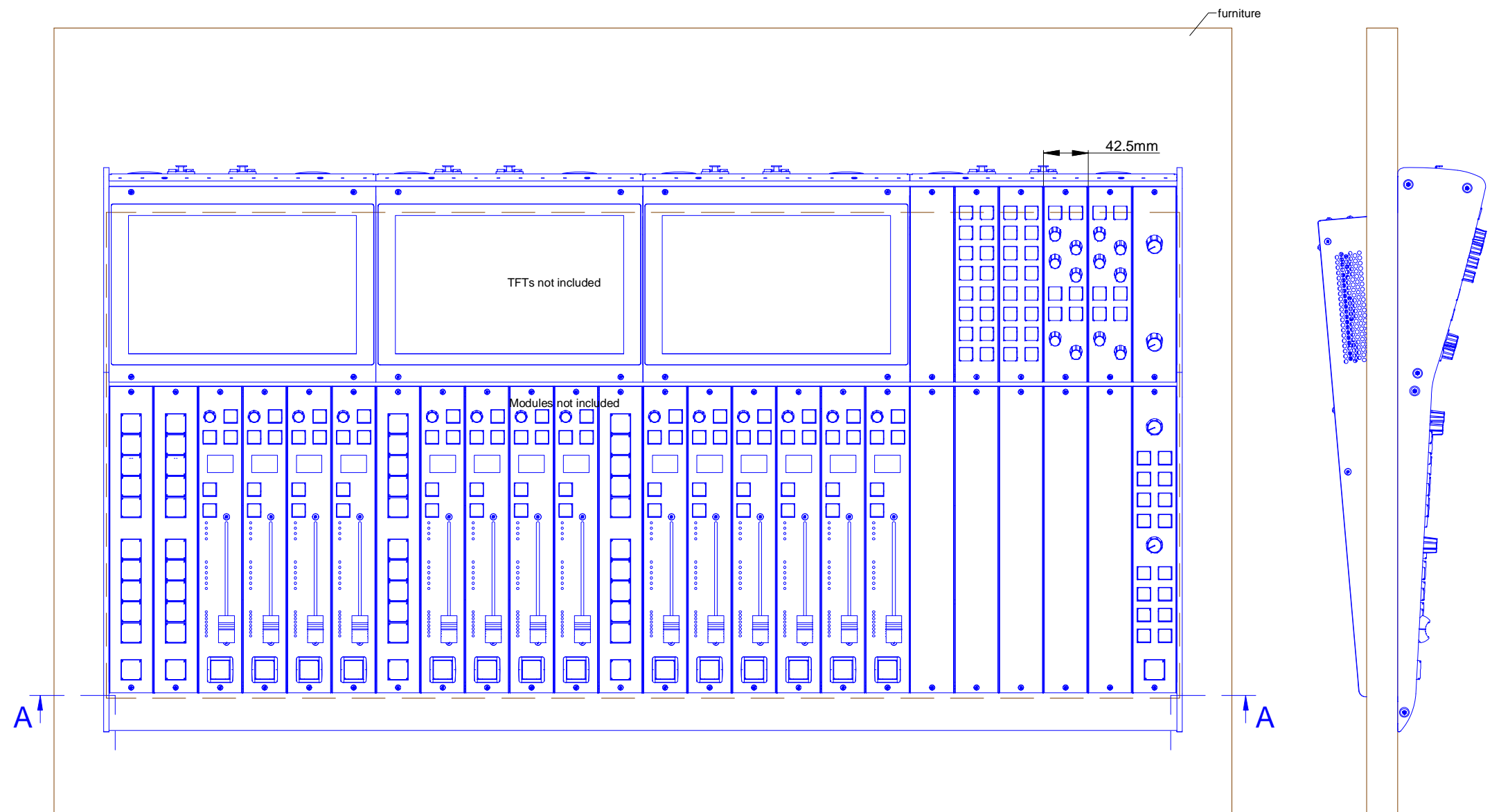
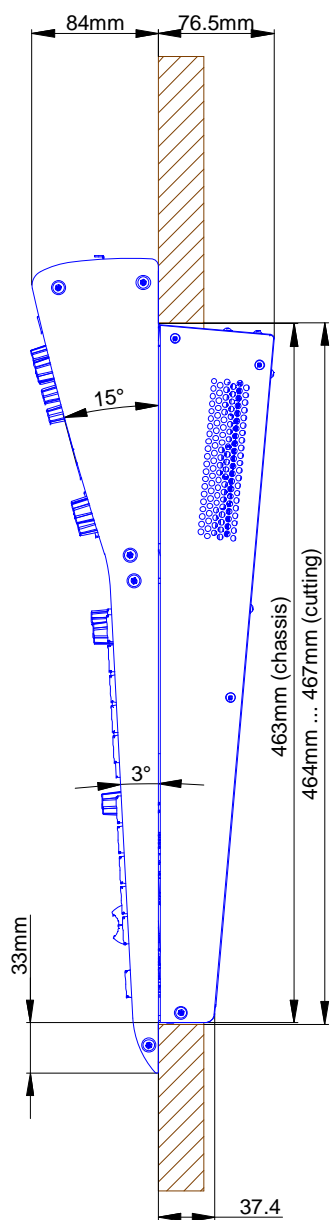
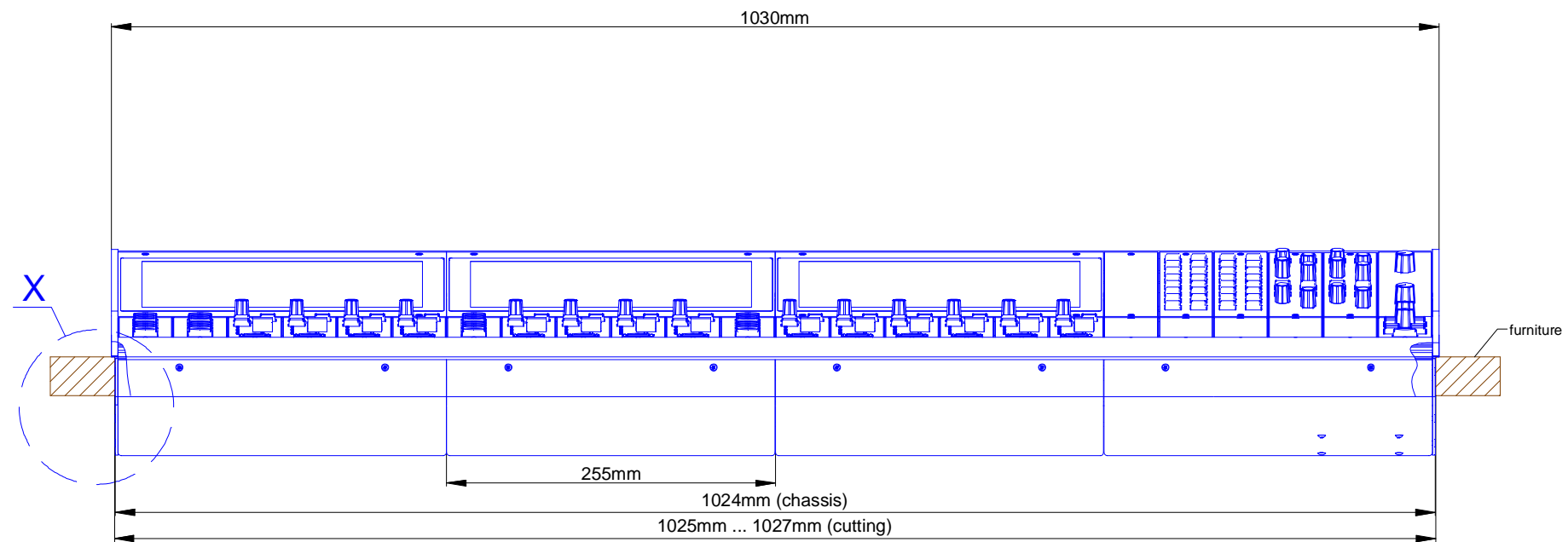
Page:

1/2

view X, scale 1:2



cut A - A



Specifications and design are subject to change without notice. The content of this document is for information only. The information presented in this document does not form part of any quotation or contract, is believed to be accurate and reliable and may be changed without notice. No liability will be accepted by the publisher for any consequence of its use. Publication thereof does neither convey nor imply any license under patent- or other industrial or intellectual property rights.

DHD.audio

DHD audio GmbH
 Haferkornstraße 5 Tel.: +49 (0)341 5897020
 04129 Leipzig Fax: +49 (0)341 5897022
 Germany E-Mail: dhd@dhd-audio.de

Name: Miethling
 Date: 14.08.2017
 File: 52-4824f_dimension.dwg

Scale: 1:5 (DIN A3)

Dimensions 52/MX L/S-size Console Frame with metal side panels
 24 positions, L-size 293x42.5mm/ S-size 193x42.5mm

52-4824F

Page:
 2/2