

Cutout for Console Frame of Mixing Console 52/MX.  
For dimensions of Console Frame, see next page!



DHD  
Deubner Hoffmann Digital GmbH  
Haferkornstrasse 5  
04129 Leipzig / Germany  
Phone: +49 341 5897020  
Fax: +49 341 5897022  
E-mail: dhd@dhd-audio.com  
Internet: www.dhd-audio.com

### Dimensions cutout for Console Frame of Mixing Consoles 52/MX

Name: Miethling

Date: 11.08.2015

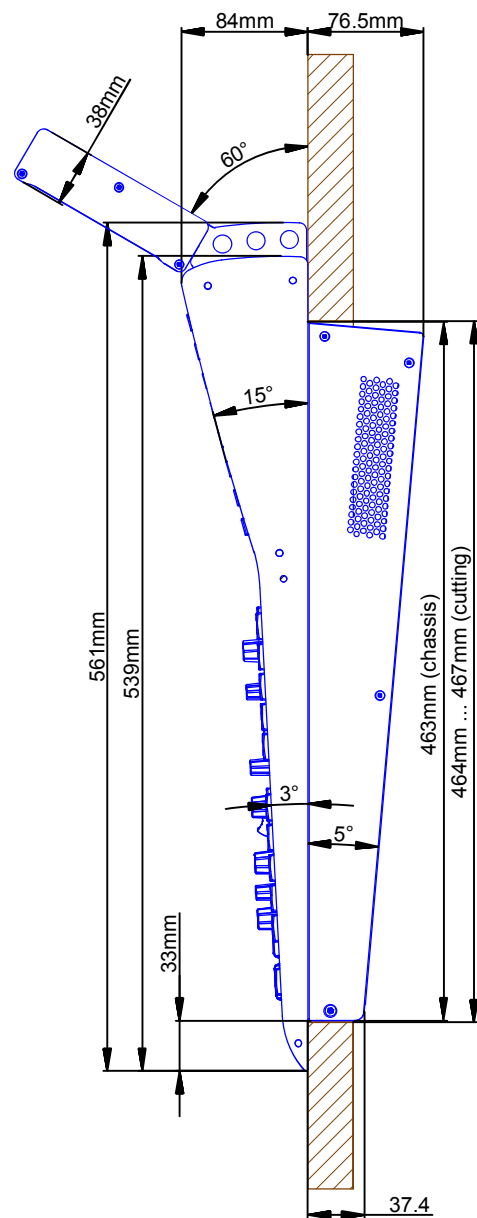
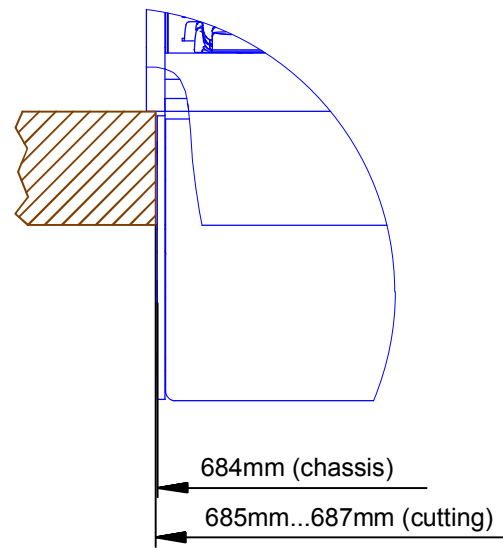
File: 52-4816d\_dimension.dwg

52-4816D

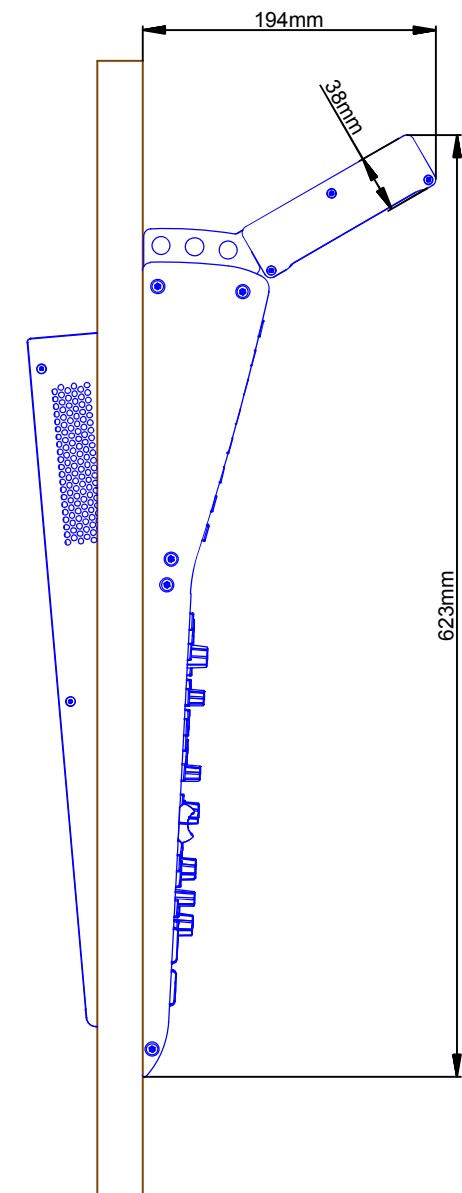
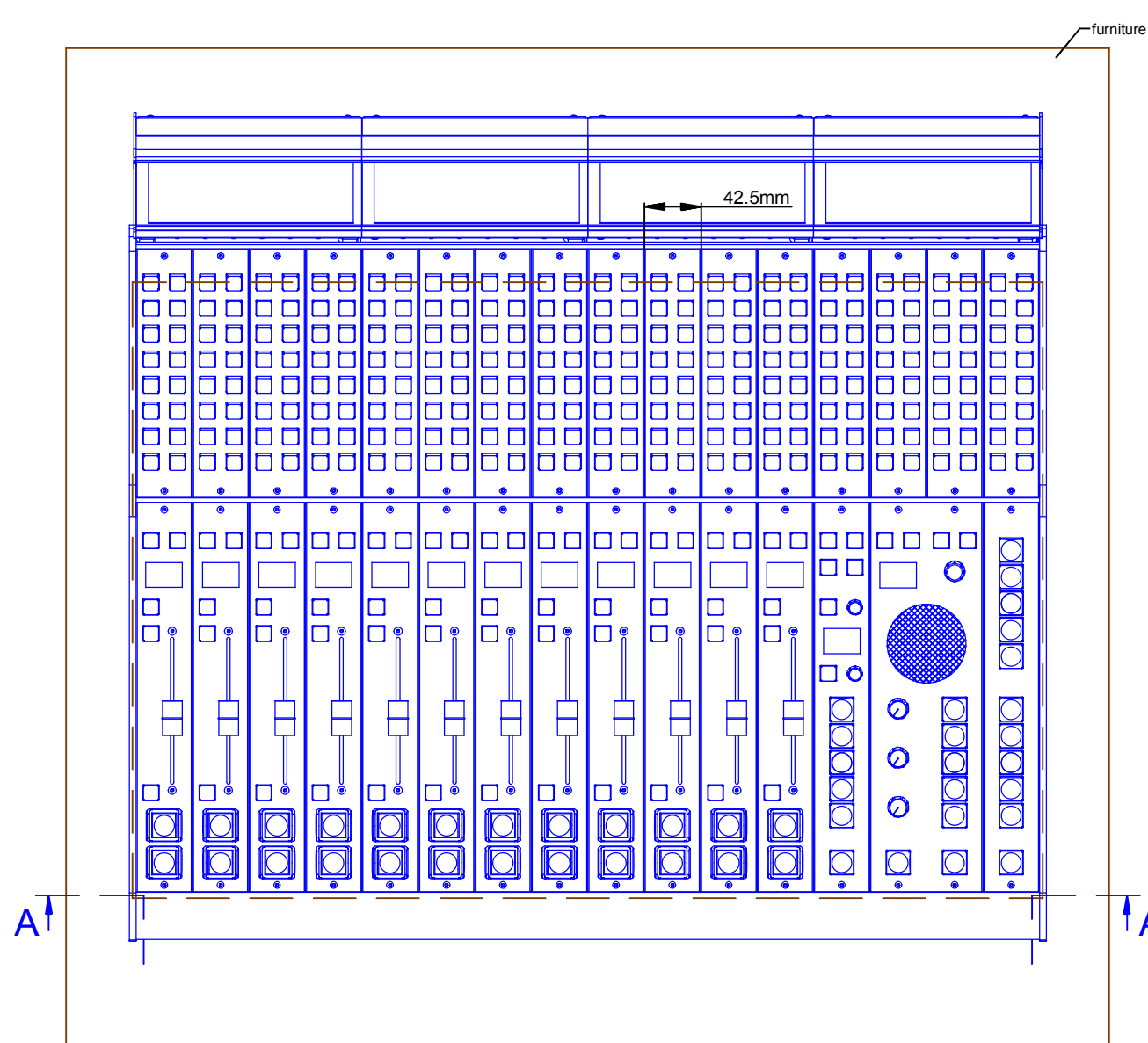
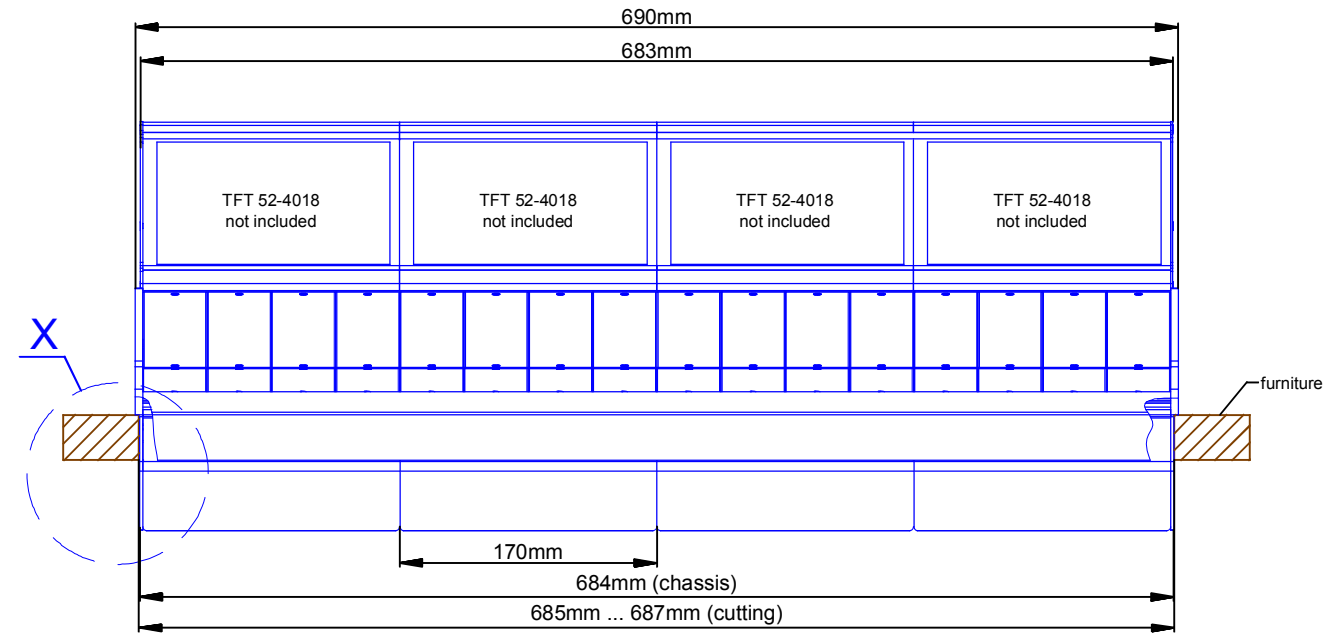
Page:

1/2

view X, scale 1:2



cut A - A



Specifications and design are subject to change without notice. The content of this document is for information only. The information presented in this document does not form part of any quotation or contract, is believed to be accurate and reliable and may be changed without notice. No liability will be accepted by the publisher for any consequence of its use. Publication thereof does neither convey nor imply any license under patent- or other industrial or intellectual property rights.

**DHD**  
Deubner Hoffmann Digital GmbH  
Haferkornstrasse 5  
04129 Leipzig / Germany  
Phone: +49 341 5897020  
Fax: +49 341 5897022  
E-mail: dhd@dhd-audio.com  
Internet: www.dhd-audio.com

Name: Miethling  
Date: 11.08.2015  
File: 52-4816d\_dimension.dwg

Scale: 1:5 (DIN A3)

Dimensions 52/MX L/S-size Console Frame with metal side panels  
16 positions, L-size 293x42.5mm/ S-size 193x42.5mm

52-4816D

Page:  
2/2