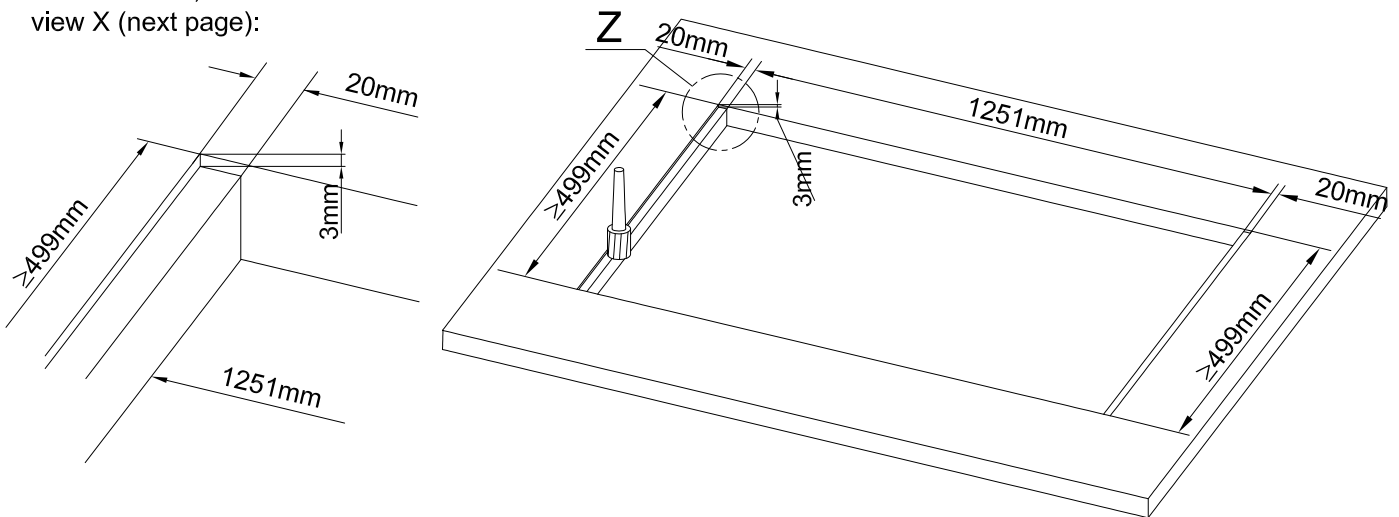


**view Z:**

further details, see  
view X (next page):



Cutout for Table-Installation Frame of Mixing Console 52/MX.  
For dimensions of Table-Installation Frame, see next page!



DHD  
Deubner Hoffmann Digital GmbH  
Haferkornstrasse 5  
04129 Leipzig / Germany  
Phone: +49 341 5897020  
Fax: +49 341 5897022  
E-mail: dhd@dhd-audio.com  
Internet: www.dhd-audio.com

Scale: 1:5 (DIN A4)

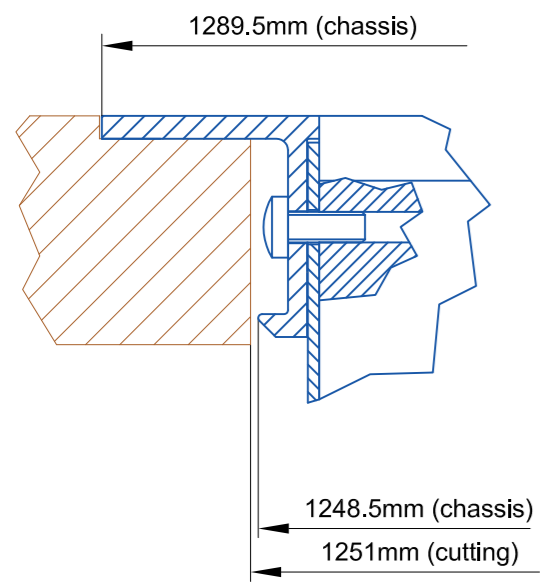
**Dimensions cutout for Table-Installation Frame  
of Mixing Consoles 52/MX**

Name: Miethling  
Date: 02.05.2012  
File: 52-4724\_dimension.dwg

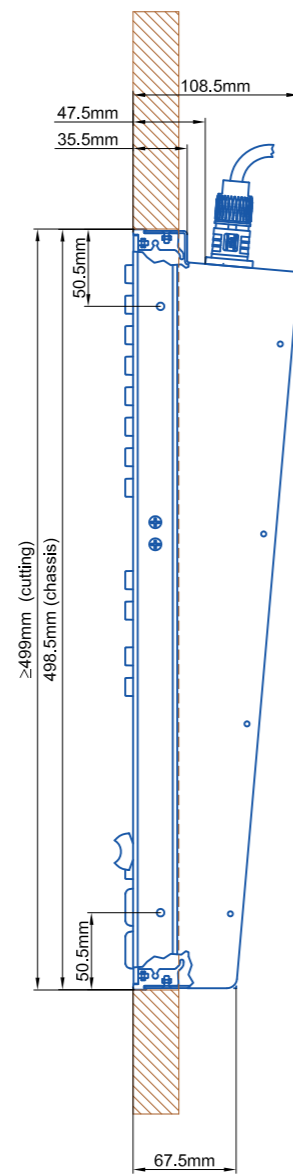
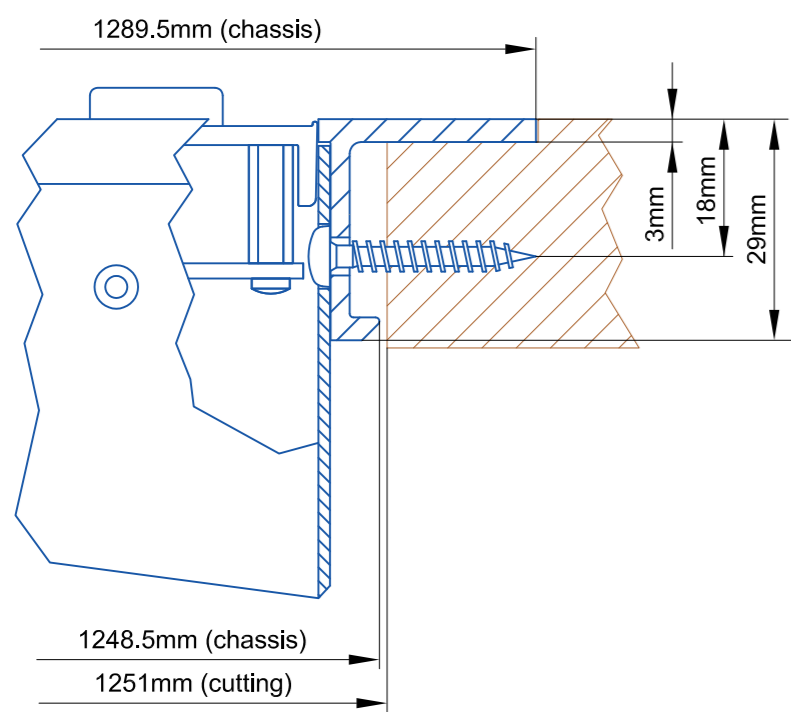
52-4724

Page:  
1/2

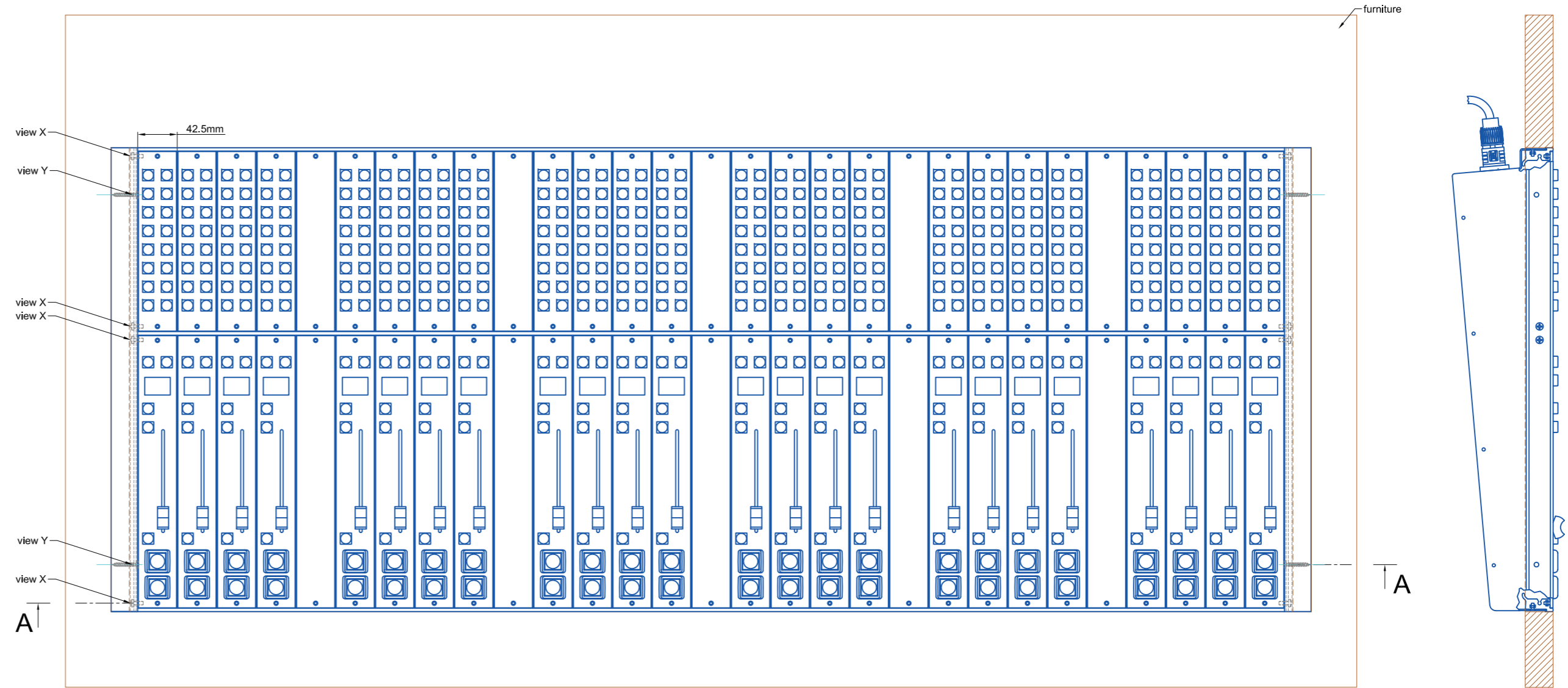
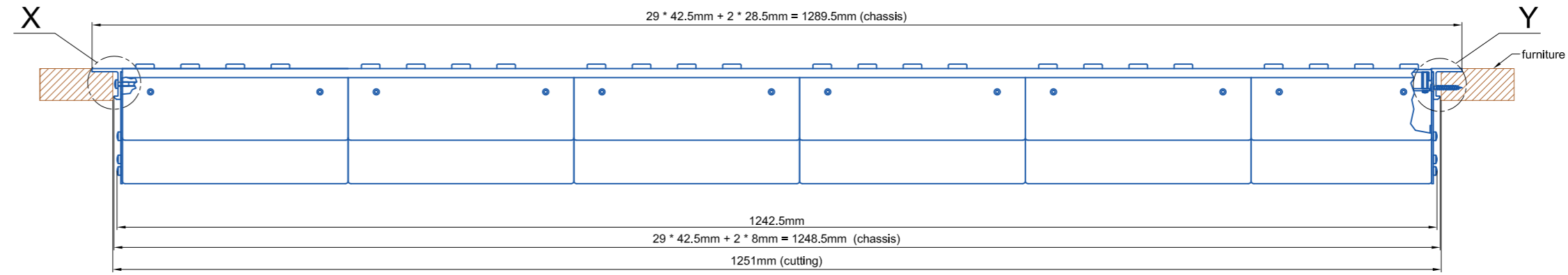
view X, scale 1:1



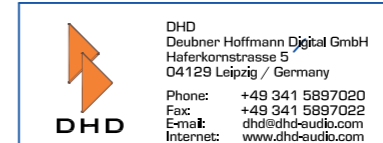
view Y, scale 1:1



cut A - A



Specifications and design are subject to change without notice. The content of this document is for information only. The information presented in this document does not form part of any quotation or contract, is believed to be accurate and reliable and may be changed without notice. No liability will be accepted by the publisher for any consequence of its use. Publication thereof does neither convey nor imply any license under patent- or other industrial or intellectual property rights.



Scale: 1:5 (DIN A2)

Dimension 52/MX L/S-size Table-Inst. Frame  
24 positions + gaps, L-size 293x42.5mm/ S-Size 193x42.5mm

Name: Miething  
Date: 02.05.2012  
File: 52-4724\_dimension.dwg

52-4724

Page: 2/2