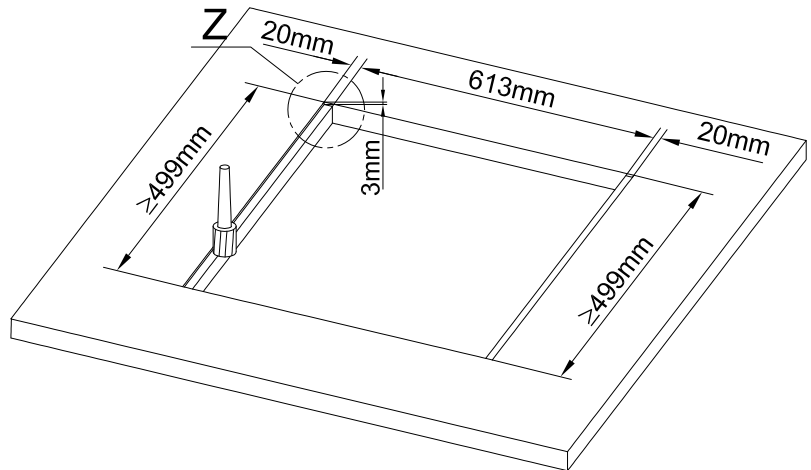
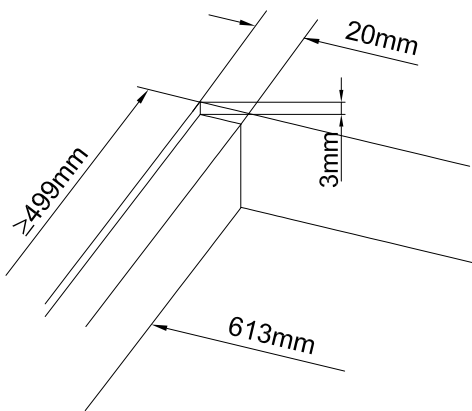



**view Z:**

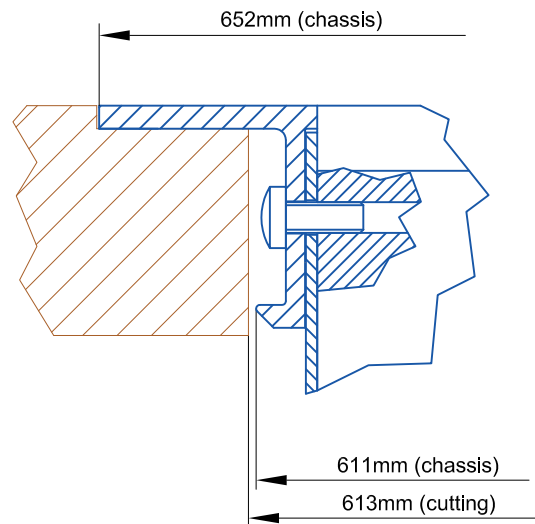
further details, see  
view X (next page):



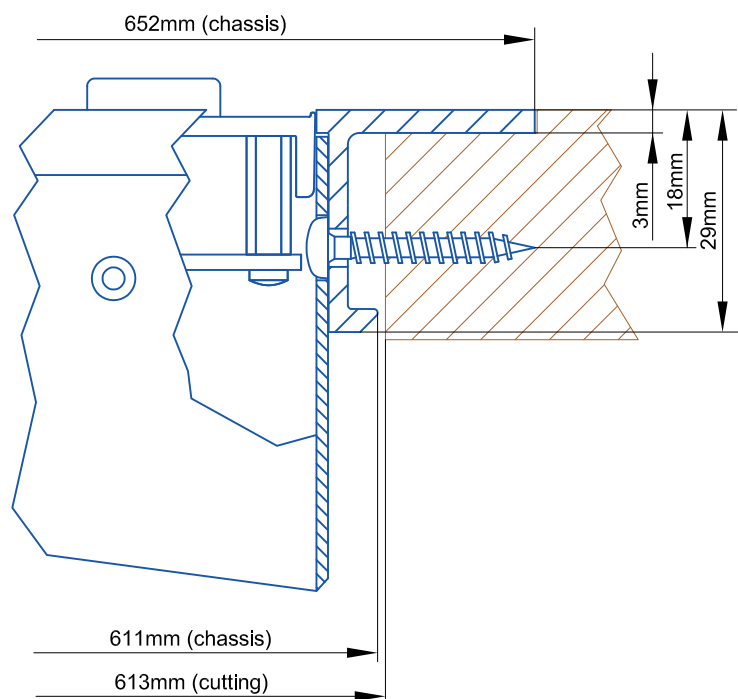
Cutout for Table-Installation Frame of Mixing Console 52/MX.  
For dimensions of Table-Installation Frame, see next page!

 <p>DHD Deubner Hoffmann Digital GmbH Haferkornstrasse 5 04129 Leipzig / Germany Phone: +49 341 5897020 Fax: +49 341 5897022 E-mail: dhd@dhd-audio.com Internet: www.dhd-audio.com</p>	Scale: 1:5 (DIN A4)		
	<p><b>Dimensions cutout for Table-Installation Frame of Mixing Consoles 52/MX</b></p>		
Name: Miethling	52-4712		Page:
Date: 02.05.2012			1/2
File: 52-4712_dimension.dwg			

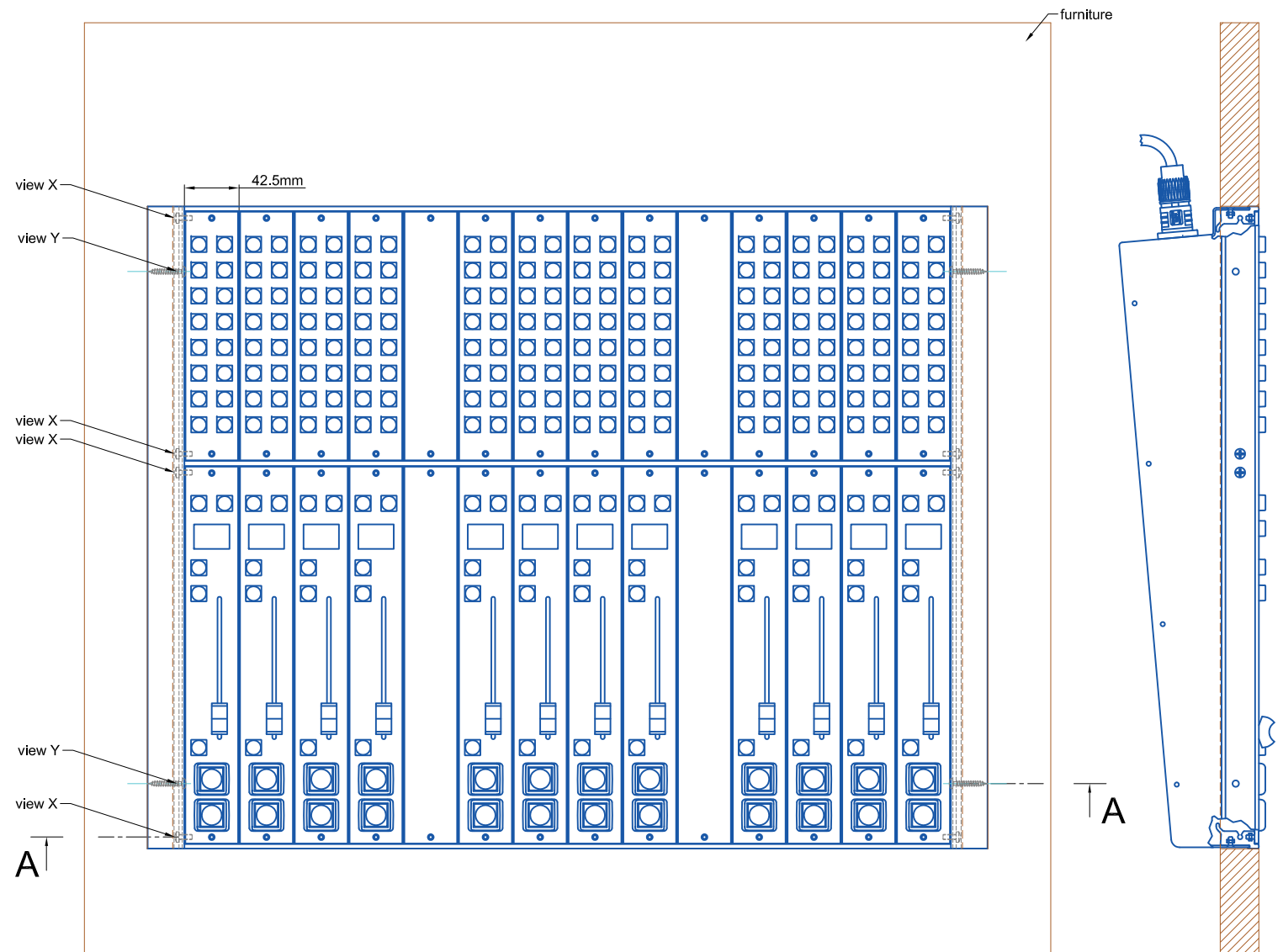
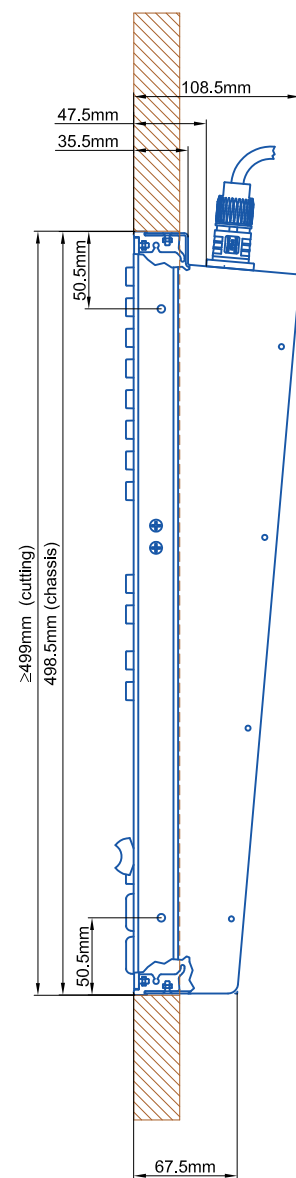
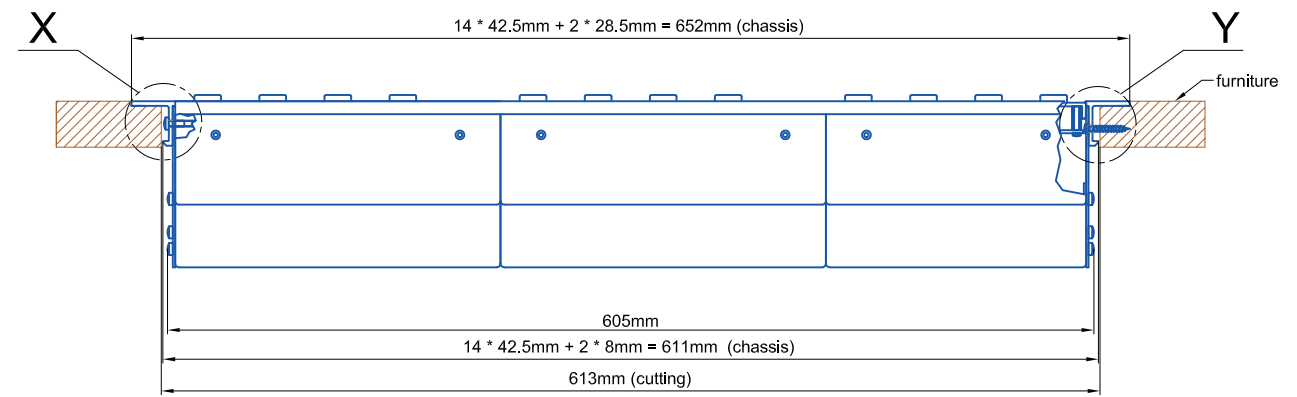
view X, scale 1:1



view Y, scale 1:1



cut A - A



Specifications and design are subject to change without notice. The content of this document is for information only. The information presented in this document does not form part of any quotation or contract, is believed to be accurate and reliable and may be changed without notice. No liability will be accepted by the publisher for any consequence of its use. Publication thereof does neither convey nor imply any license under patent- or other industrial or intellectual property rights.

**DHD**  
 Deubner Hoffmann Digital GmbH  
 Haferkornstrasse 5  
 04129 Leipzig / Germany  
 Phone: +49 341 5897020  
 Fax: +49 341 5897022  
 E-mail: dhd@dhd-audio.com  
 Internet: www.dhd-audio.com

Scale: 1:5 (DIN A3)

**Dimension 52/MX L/S-size Table-Inst. Frame**  
 12 positions + gaps, L-size 293x42.5mm/ S-Size 193x42.5mm

Name: Miethling  
 Date: 02.05.2012  
 File: 52-4712\_dimension.dwg

52-4712

Page:  
 2/2