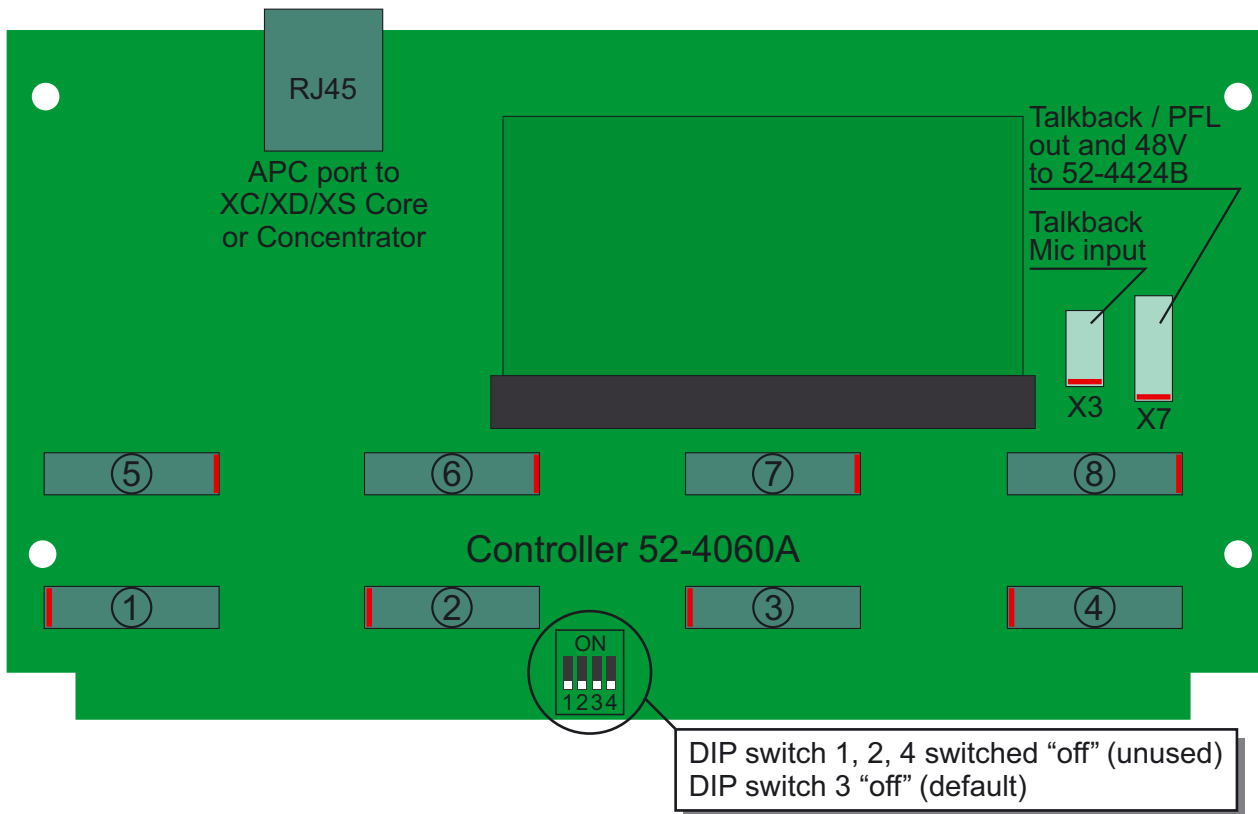


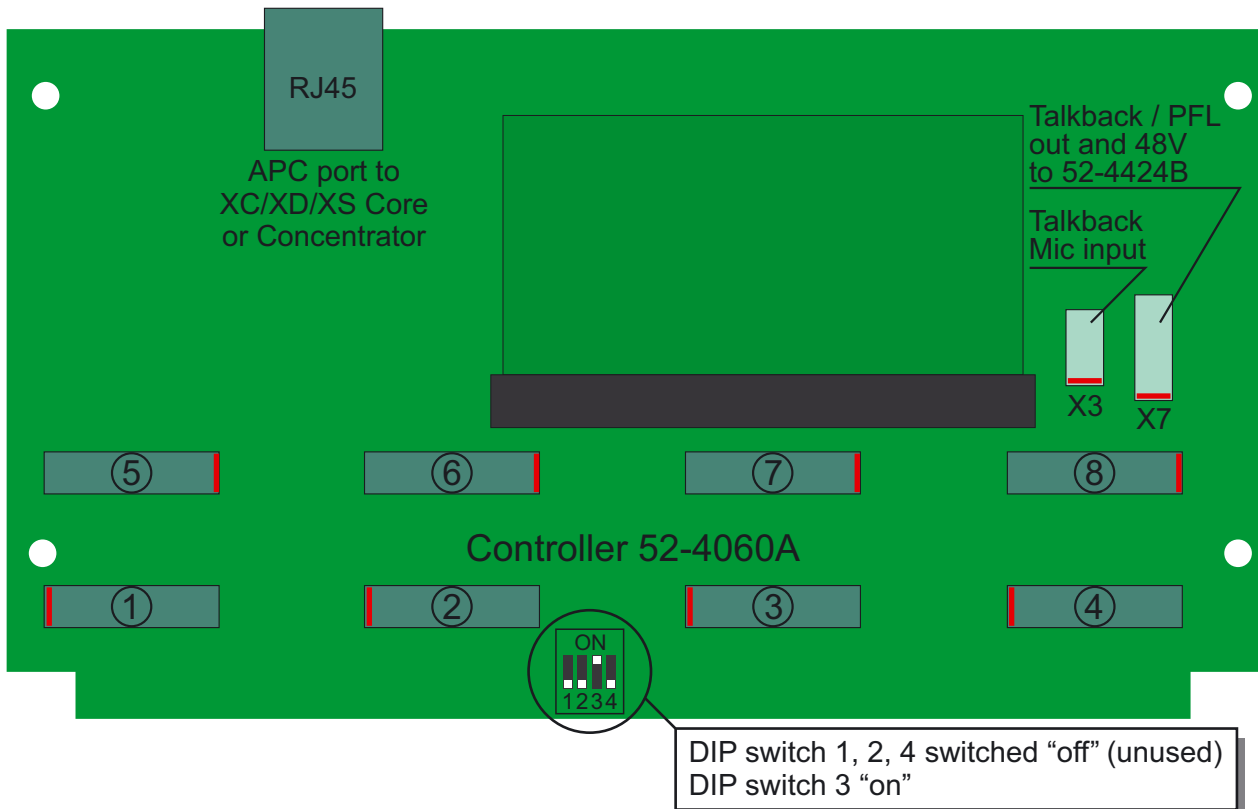
Console Controller 52-4060A DIP switch settings

1.) No motorized faders



2.) Motorized faders

(DIP switch 3 "on" for 52-4231B, 52-4241B, 52-4261B with P&G Motor Faders connected to one of the ports)



Specifications and design are subject to change without notice.

The content of this document is for information only. The information presented in this document does not form part of any quotation or contract, is believed to be accurate and reliable and may be changed without notice. No liability will be accepted by the publisher for any consequence of its use. Publication thereof does neither convey nor imply any license under patent- or other industrial or intellectual property rights.