
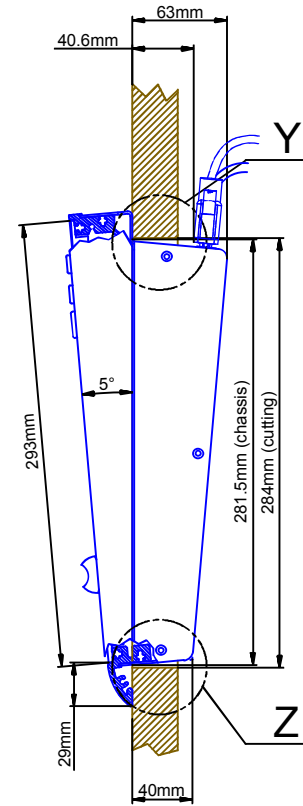


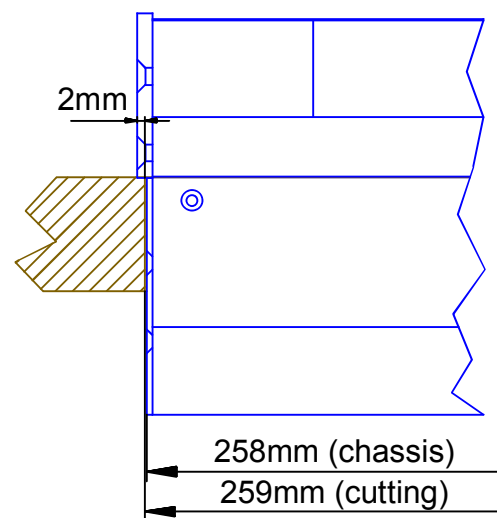
Cutout for Console Frame of Mixing Console 52/MX.  
For dimensions of Console Frame, see next page!

 <p>DHD Deubner Hoffmann Digital GmbH Haferkomstrasse 5 04129 Leipzig / Germany Phone: +49 341 5897020 Fax: +49 341 5897022 E-mail: dhd@dhd-audio.com Internet: www.dhd-audio.com</p>	Scale: 1:5 (DIN A4)		
	<p><b>Dimensions cutout for Console Frame of Mixing Consoles 52/MX</b></p>		
Name: Miethling	<p><b>52-3806</b></p>		Page:
Date: 10.12.2010			1/2
File: 52-3806_dimension.dwg			

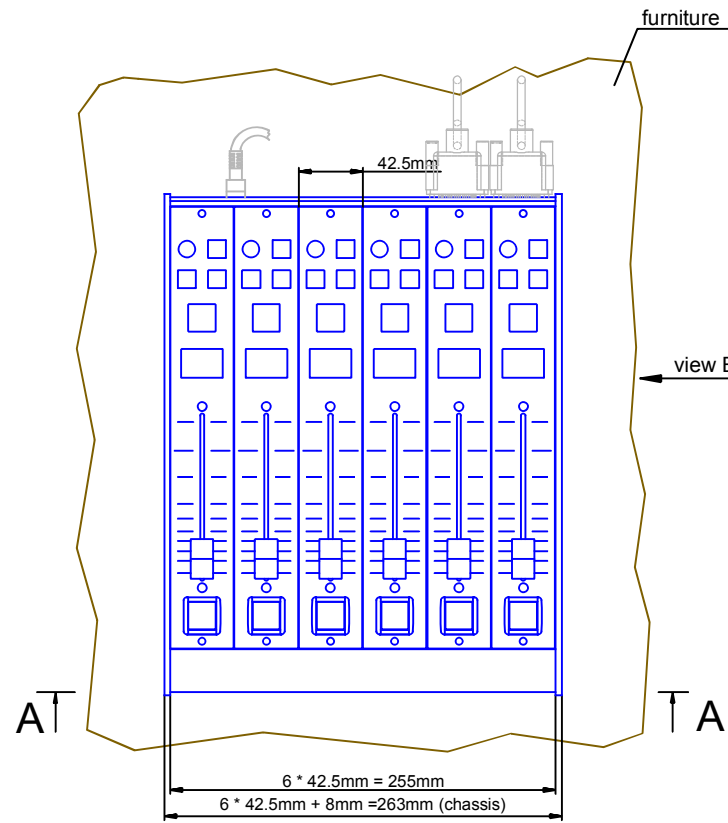
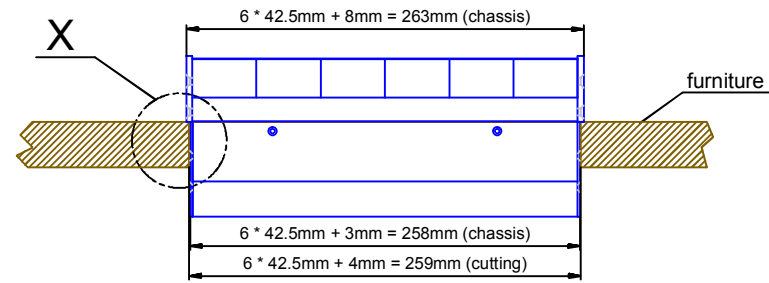
view B:



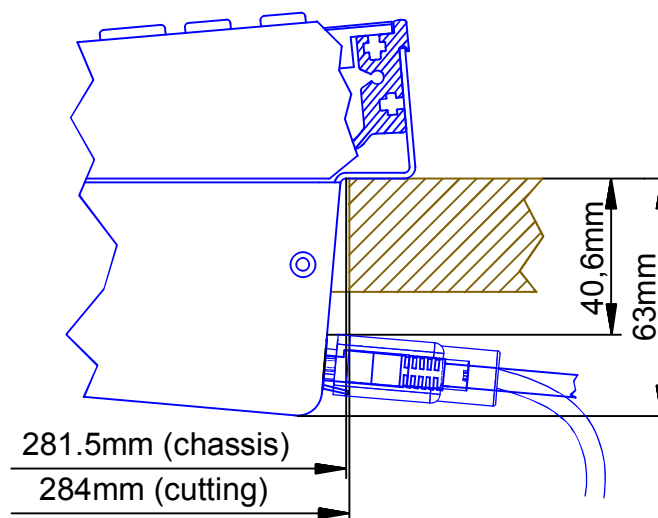
view X scale 1:2



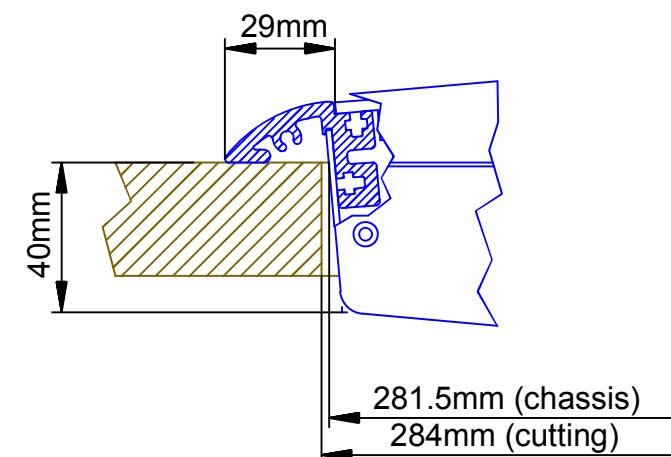
cut A - A



view Y scale 1:2



view Z scale 1:2



Specifications and design are subject to change without notice. The content of this document is for information only. The information presented in this document does not form part of any quotation or contract, is believed to be accurate and reliable and may be changed without notice. No liability will be accepted by the publisher for any consequence of its use. Publication thereof does neither convey nor imply any license under patent- or other industrial or intellectual property rights.

**DHD**  
 DHD  
 Deubner Hoffmann Digital GmbH  
 Haferkornstrasse 5  
 04129 Leipzig / Germany  
 Phone: +49 341 5897020  
 Fax: +49 341 5897022  
 E-mail: dhd@dhd-audio.com  
 Internet: www.dhd-audio.com

Name: Miethling  
 Date: 10.12.2010  
 File: 52-3806\_dimension.dwg

Scale: 1:5 (DIN A3)

Dimension 52/MX L-size Console Frame  
 6 positions, L-size 293x42.5mm

52-3806

Page:  
 2/2