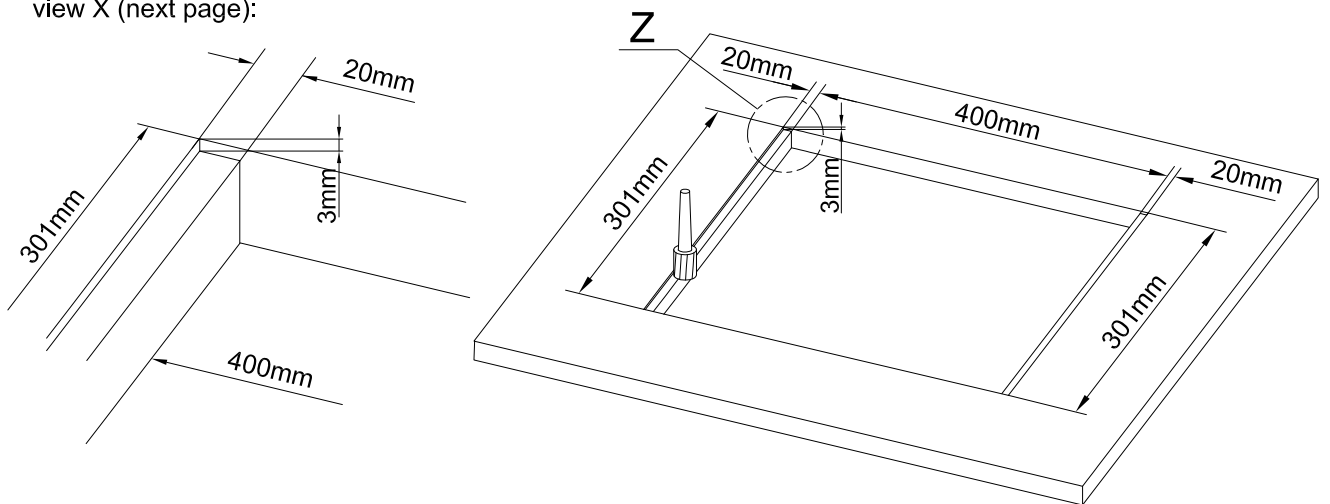


view Z:

further details, see
view X (next page):



Cutout for Table-Installation Frame of Mixing Console 52/MX.
For dimensions of Table-Installation Frame, see next page!



DHD
Deubner Hoffmann Digital GmbH
Haferkomstrasse 5
04129 Leipzig / Germany
Phone: +49 341 5897020
Fax: +49 341 5897022
E-mail: dhd@dhd-audio.com
Internet: www.dhd-audio.com

Scale: 1:5 (DIN A4)

**Dimensions cutout for Table-Installation Frame
of Mixing Consoles 52/MX**

Name: Miethling

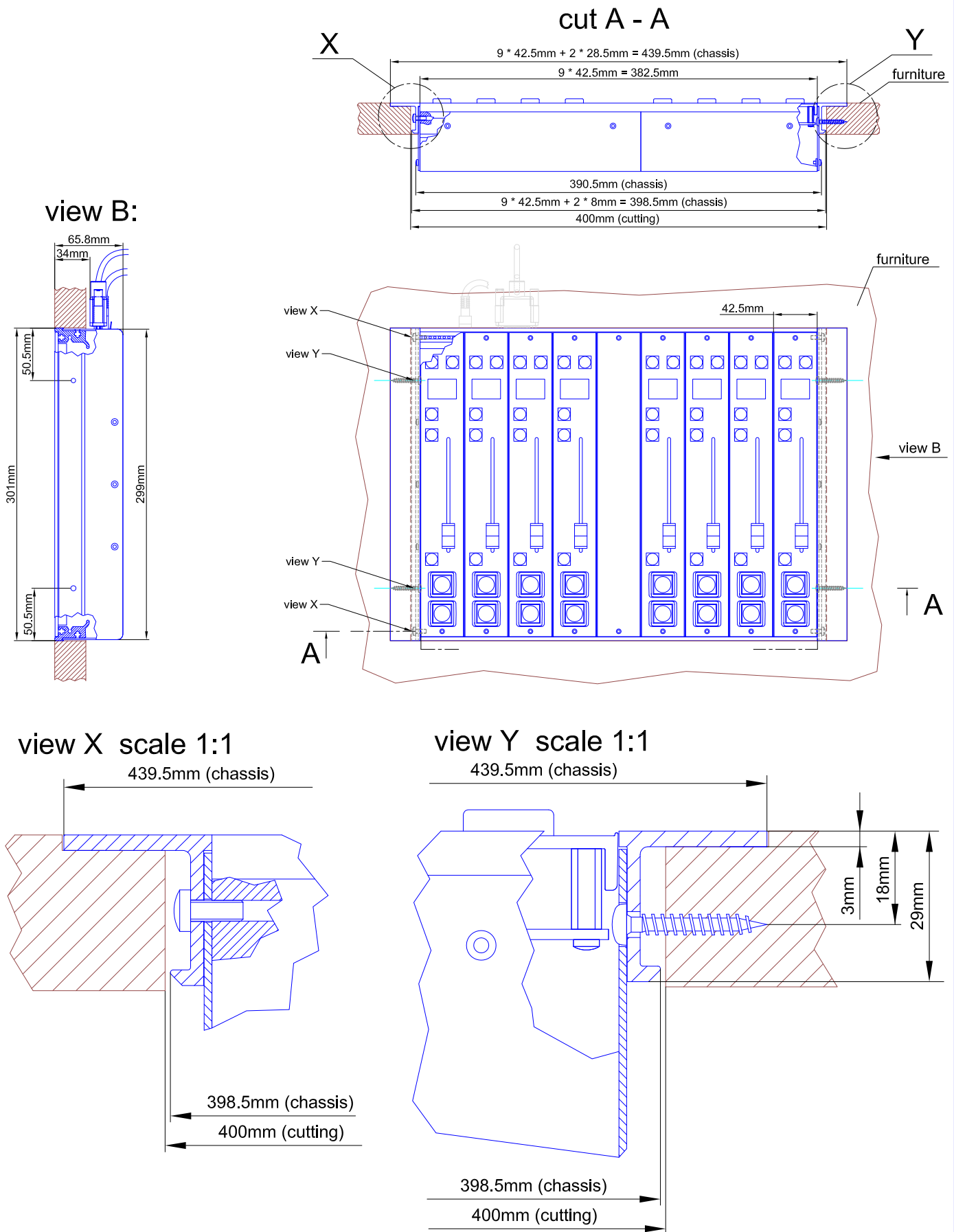
Date: 09.12.2010

File: 52-3708_dimension.dwg

52-3708

Page:

1/2



DHD
 Deubner Hoffmann Digital GmbH
 Haferkomstrasse 5
 04129 Leipzig / Germany
 Phone: +49 341 5897020
 Fax: +49 341 5897022
 E-mail: dhd@dhd-audio.com
 Internet: www.dhd-audio.com

Scale: 1:5 (DIN A4)

Dimension 52/MX L-size Table-Inst. Frame
8 positions + gap, L-size 293x42.5mm

Name: Miethling
 Date: 09.12.2010
 File: 52-3708_dimension.dwg

52-3708

Page:
 2/2