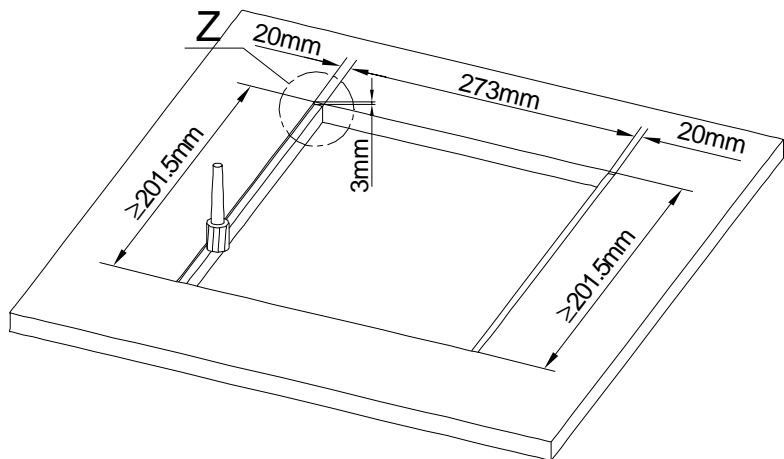
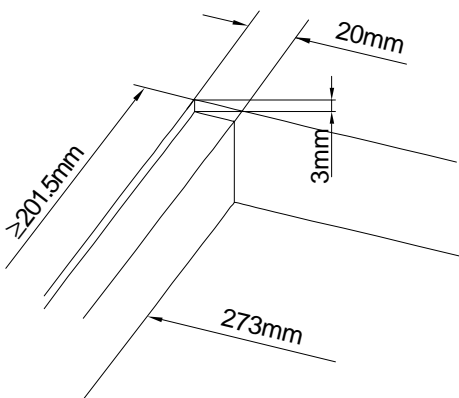


view Z:

further details, see view X (next page):



Cutout for Table-Installation Frame of Mixing Console 52/MX.
For dimensions of Table-Installation Frame, see next page!

Specifications and design are subject to change without notice. The content of this document is for information only. The information presented in this document does not form part of any quotation or contract, is believed to be accurate and reliable and may be changed without notice. No liability will be accepted by the publisher for any consequence of its use. Publication thereof does neither convey nor imply any license under patent- or other industrial or intellectual property rights.

DHD GmbH
Haferkornstraße 5
04129 Leipzig / Germany
Phone: + 49 341 5897020
Fax: + 49 341 5897022

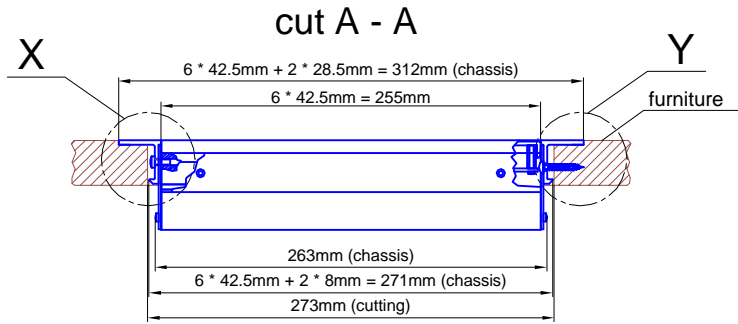
Name: Miethling | Date: 02.05.2012
File: 52-3656_dimension.dwg

Scale:

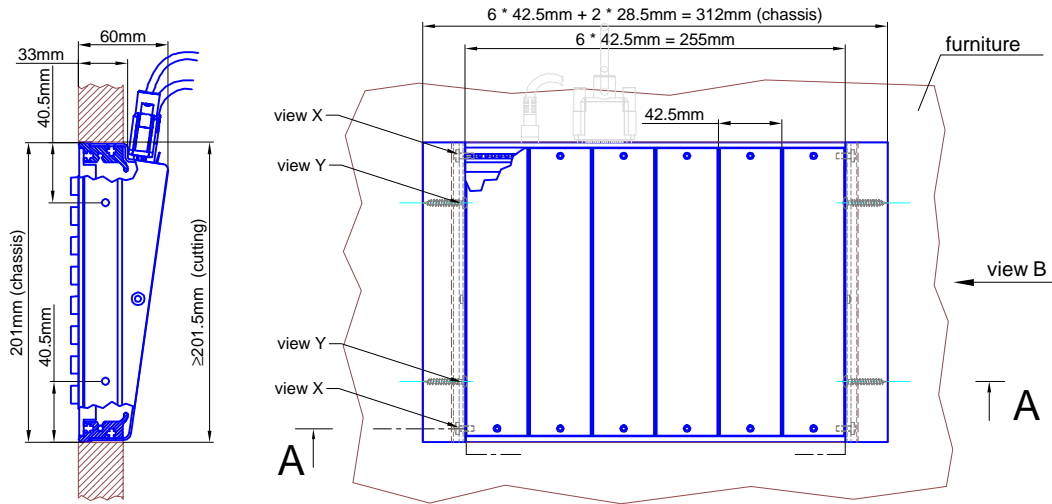
Dimensions cutout for Table-Inst. Frame
of Mixing Consoles 52/MX s-size

52-3656

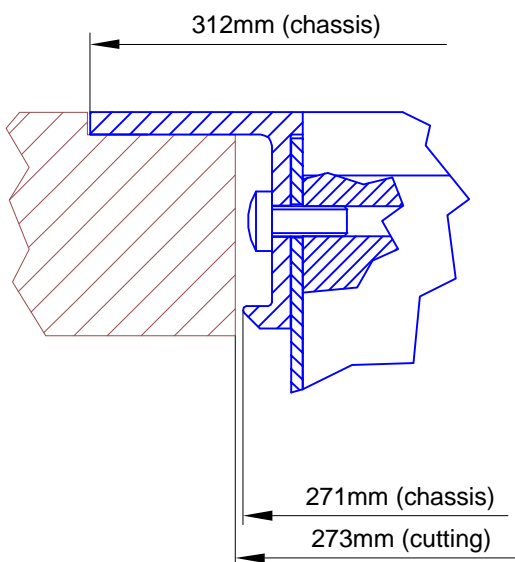
Page:
1 / 2



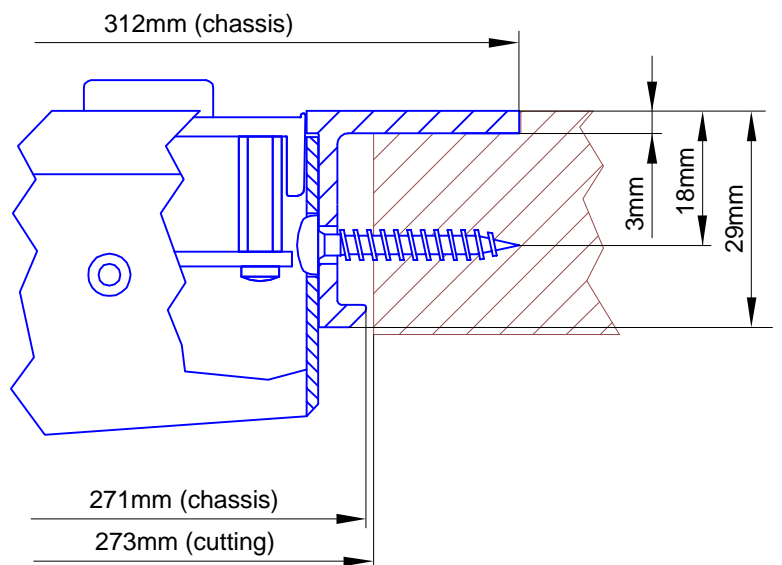
view B:



view X, scale 1:1



view Y, scale 1:1



Specifications and design are subject to change without notice. The content of this document is for information only. The information presented in this document does not form part of any quotation or contract, is believed to be accurate and reliable and may be changed without notice. No liability will be accepted by the publisher for any consequence of its use. Publication thereof does neither convey nor imply any license under patent- or other industrial or intellectual property rights.

DHD GmbH
 Haferkornstraße 5
 04129 Leipzig / Germany
 Phone: + 49 341 5897020
 Fax: + 49 341 5897022

Name: Miethling Date: 02.05.2012
 File: 52-3656_dimension.dwg

Scale 1:5 (DIN A3)

Dimension 52/MX S-size Table Inst. Frame
 6 positions, S-size 193x42.5mm

52-3656

Page:
 2 / 2