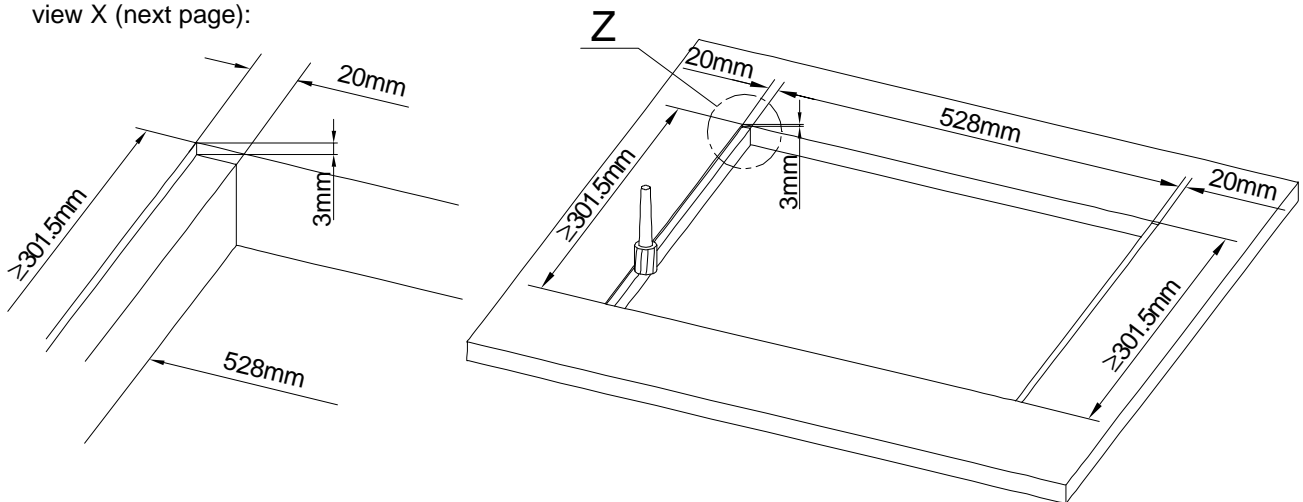


view Z:

further details, see view X (next page):



Cutout for Table-Installation Frame of Mixing Console 52/MX.

For dimensions of Table-Installation Frame, see next page!



DHD
Deübner Hoffmann Digital GmbH
Haferkornstrasse 5
04129 Leipzig / Germany
Phone: +49 341 5897020
Fax: +49 341 5897022
E-mail: dhd@dhd-audio.com
Internet: www.dhd-audio.com

Scale: 1:5 (DIN A4)

**Dimensions cutout for Table-Installation Frame
of Mixing Consoles 52/MX**

Name: Miethling

Date: 02.05.2012

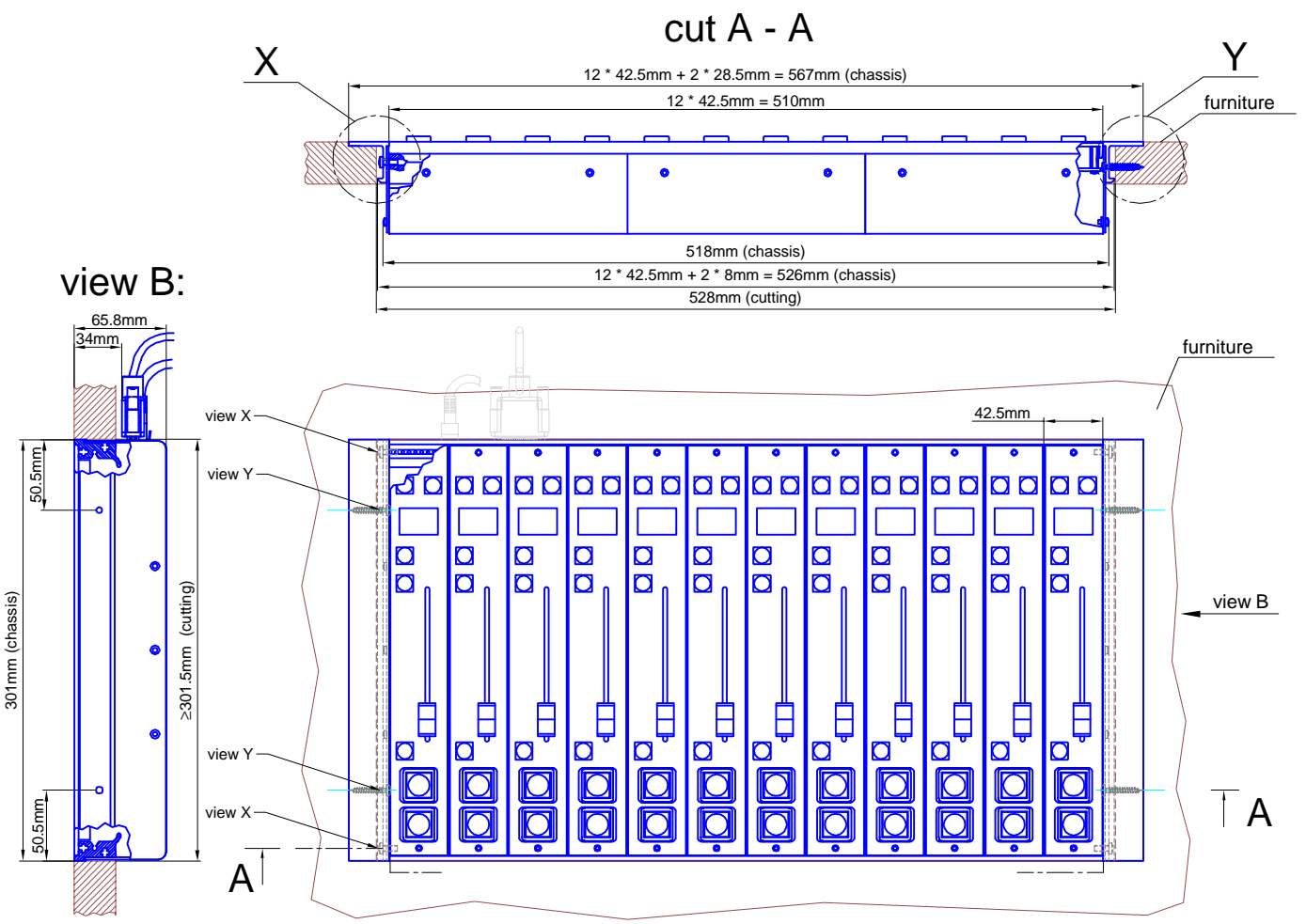
File: 52-3612_dimension.dwg

52-3612

Page:

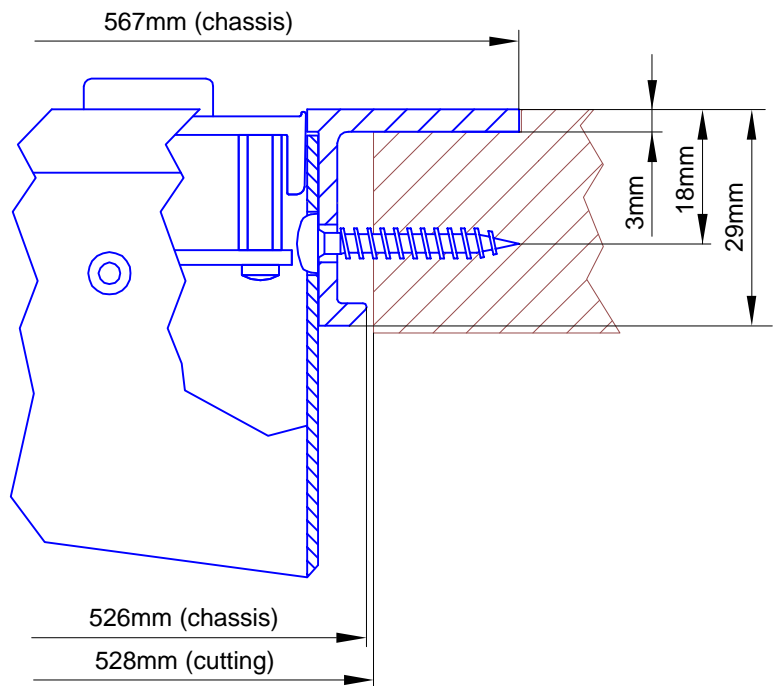
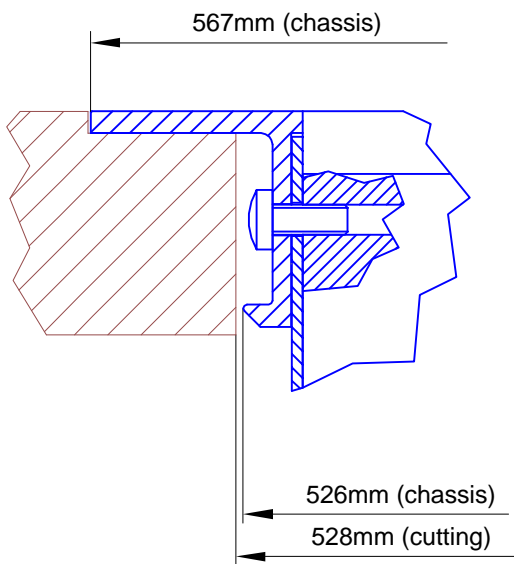
1/2

Specifications and design are subject to change without notice. The content of this document is for information only. The information presented in this document does not form part of any quotation or contract, is believed to be accurate and reliable and may be changed without notice. No liability will be accepted by the publisher for any consequence of its use. Publication thereof does neither convey nor imply any license under patent- or other industrial or intellectual property rights.



view X scale 1:1

view Y scale 1:1



DHD
 Deübner Hoffmann Digital GmbH
 Haferkornstrasse 5
 04129 Leipzig / Germany
 Phone: +49 341 5897020
 Fax: +49 341 5897022
 E-mail: dhd@dhd-audio.com
 Internet: www.dhd-audio.com

Scale: 1:5 (DIN A4)

Dimension 52/MX L-size Table-Inst. Frame
 12 positions, L-size 293x42.5mm

Name: Miethling

Date: 02.05.2012

File: 52-3612_dimension.dwg

52-3612

Page:
 2/2