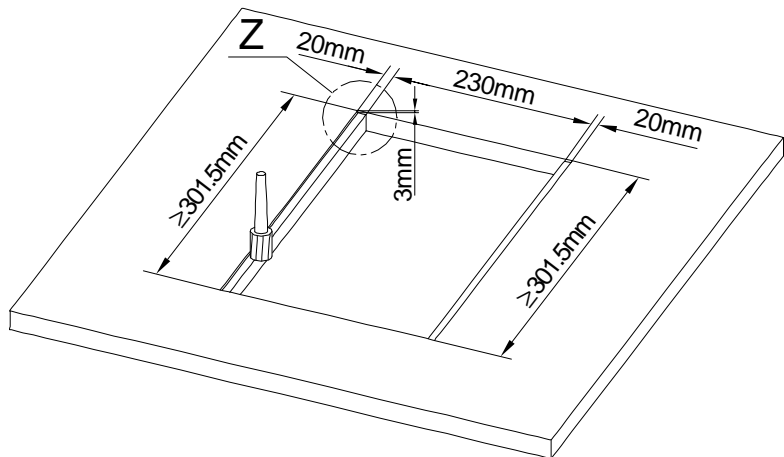
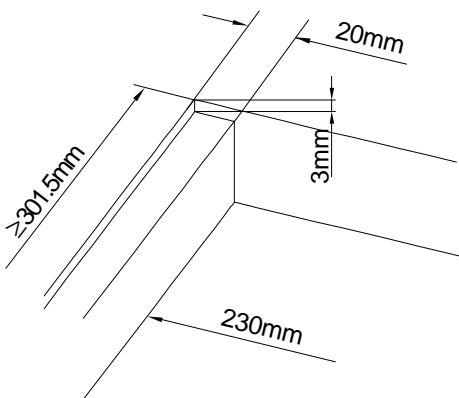


view Z:

further details, see view X (next page):



Cutout for Table-Installation Frame of Mixing Console 52/MX.

For dimensions of Table-Installation Frame, see next page!



DHD
Deubner Hoffmann Digital GmbH
Haferkornstrasse 5
04129 Leipzig / Germany
Phone: +49 341 5897020
Fax: +49 341 5897022
E-mail: dhd@dhd-audio.com
Internet: www.dhd-audio.com

Scale: 1:5 (DIN A4)

**Dimensions cutout for Table-Installation Frame
of Mixing Consoles 52/MX**

Name: Miethling

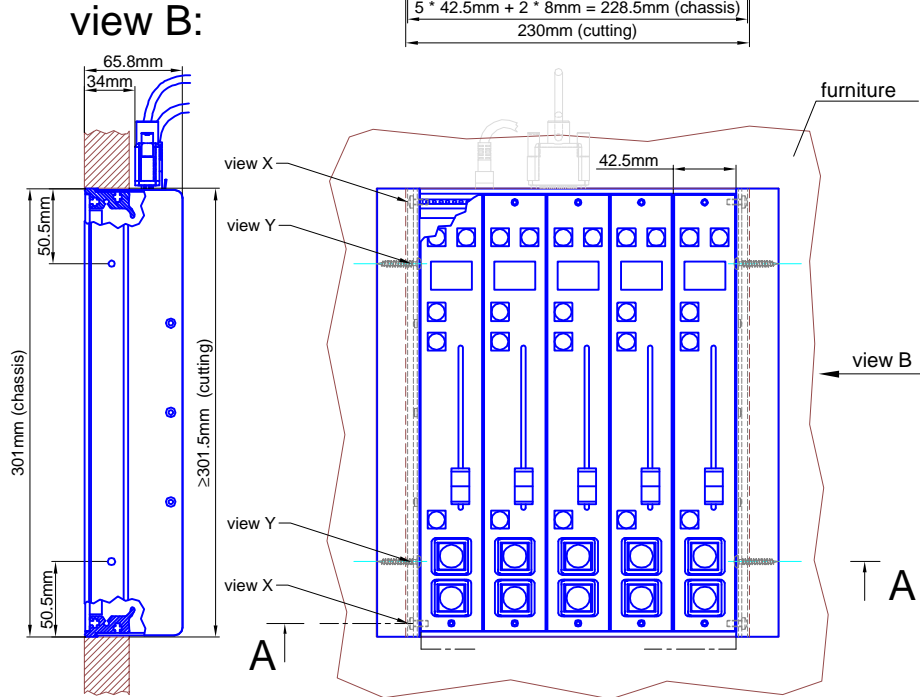
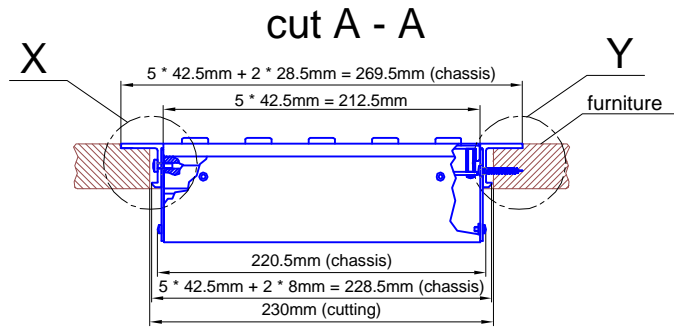
Date: 02.05.2012

File: 52-3605_dimension.dwg

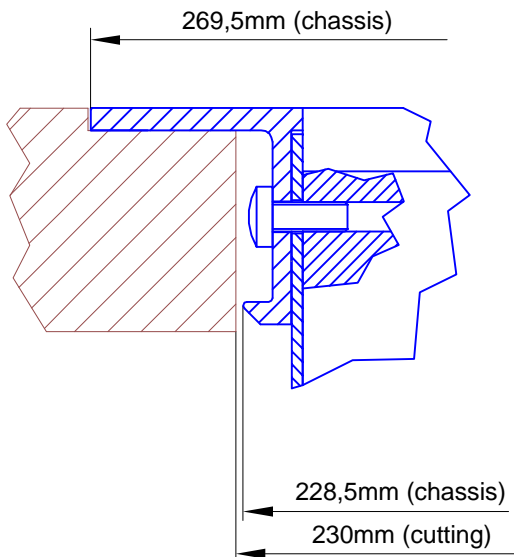
52-3605

Page:

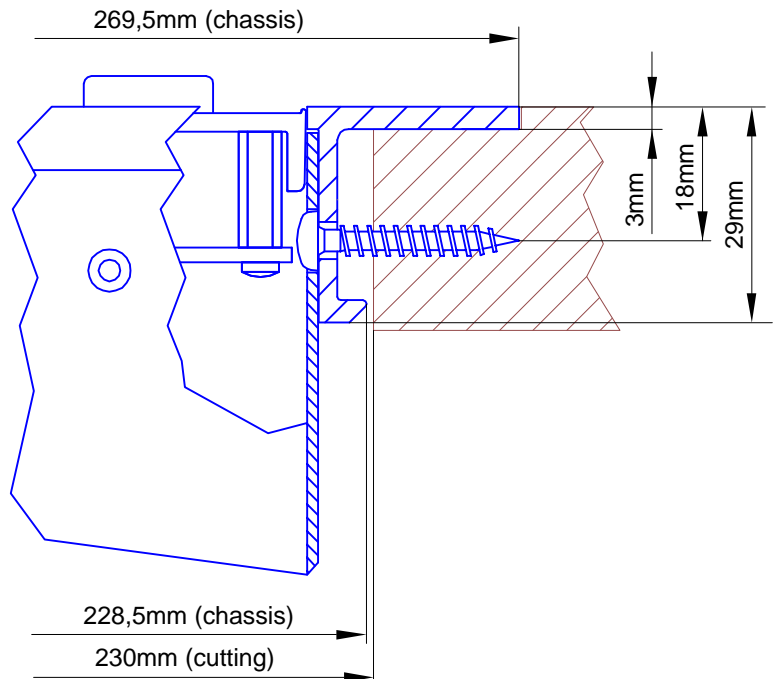
1/2



view X scale 1:1



view Y scale 1:1



Scale: 1:5 (DIN A4)

Dimension 52/MX L-size Table-Inst. Frame
5 positions, L-size 293x42.5mm

Name: Miethling
Date: 02.05.2012
File: 52-3605_dimension.dwg

52-3605

Page:
2/2