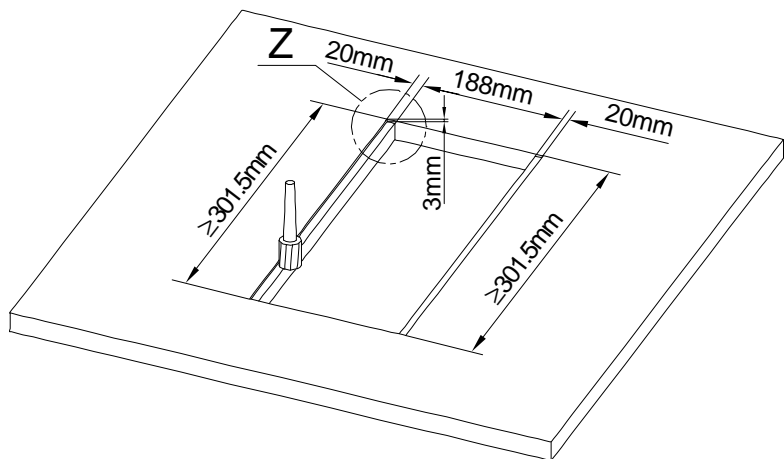
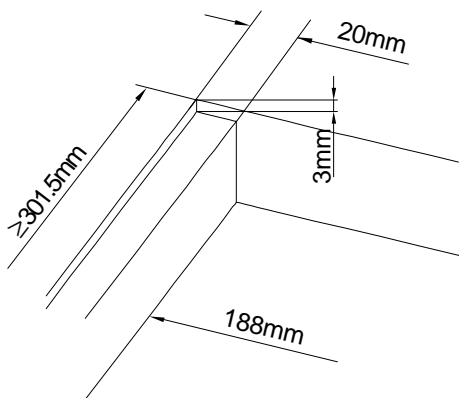


**view Z:**

further details, see  
view X (next page):



Cutout for Table-Installation Frame of Mixing Console 52/MX.  
For dimensions of Table-Installation Frame, see next page!



DHD  
Deübner Hoffmann Digital GmbH  
Haferkornstrasse 5  
04129 Leipzig / Germany  
Phone: +49 341 5897020  
Fax: +49 341 5897022  
E-mail: dhd@dhd-audio.com  
Internet: www.dhd-audio.com

Scale: 1:5 (DIN A4)

**Dimensions cutout for Table-Installation Frame  
of Mixing Consoles 52/MX**

Name: Miethling

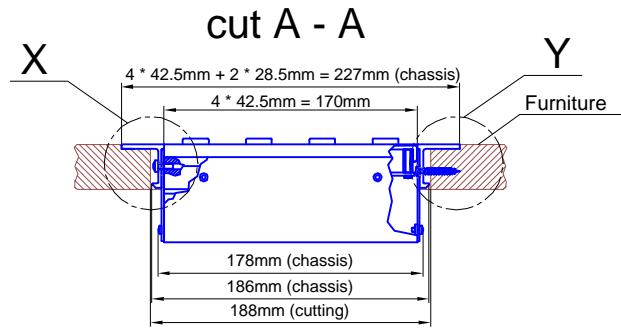
Date: 02.05.2012

File: 52-3604\_dimension.dwg

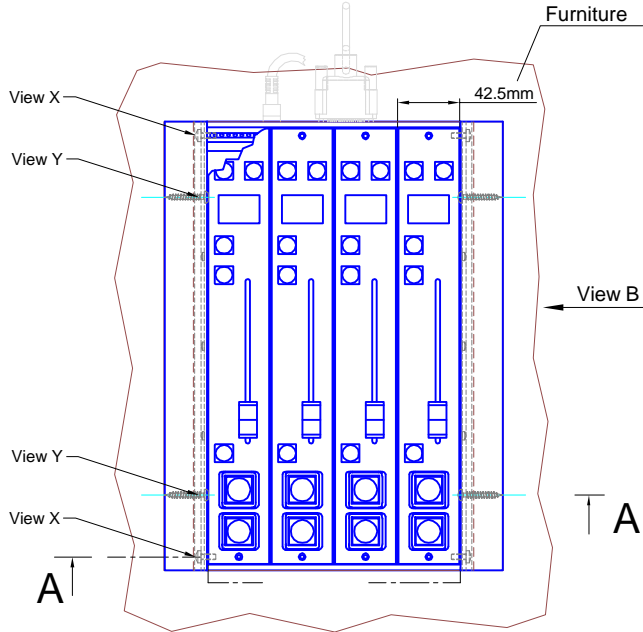
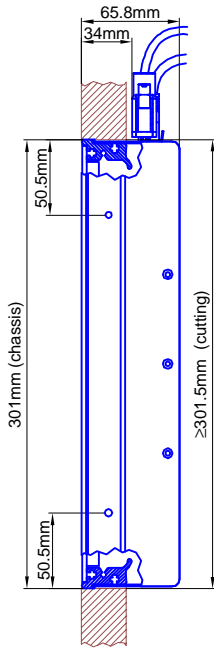
52-3604

Page:

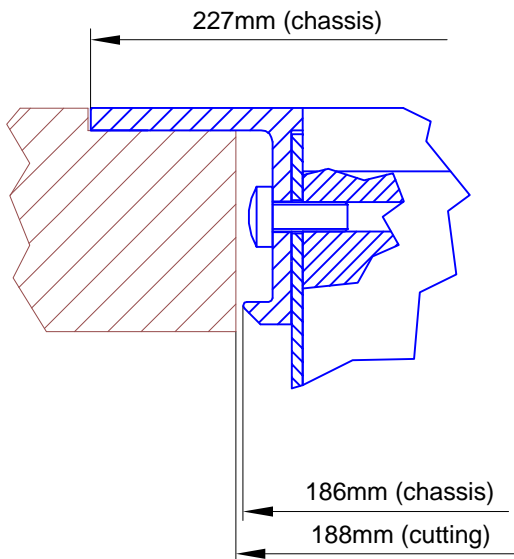
1/2



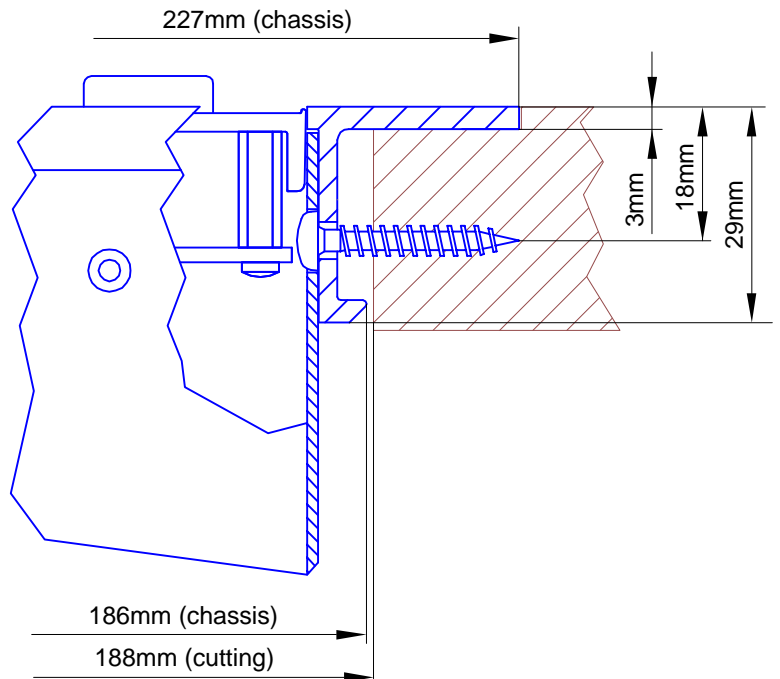
view B:



view X scale 1:1



view Y scale 1:1



DHD  
Deübner Hoffmann Digital GmbH  
Haferkornstrasse 5  
04129 Leipzig / Germany  
Phone: +49 341 5897020  
Fax: +49 341 5897022  
E-mail: dhd@dhd-audio.com  
Internet: www.dhd-audio.com

Scale: 1:5 (DIN A4)

Dimension 52/MX L-size Table-Inst. Frame  
4 positions, L-size 293x42.5mm

Name: Miethling

Date: 02.05.2012

File: 52-3604\_dimension.dwg

52-3604

Page:  
2/2