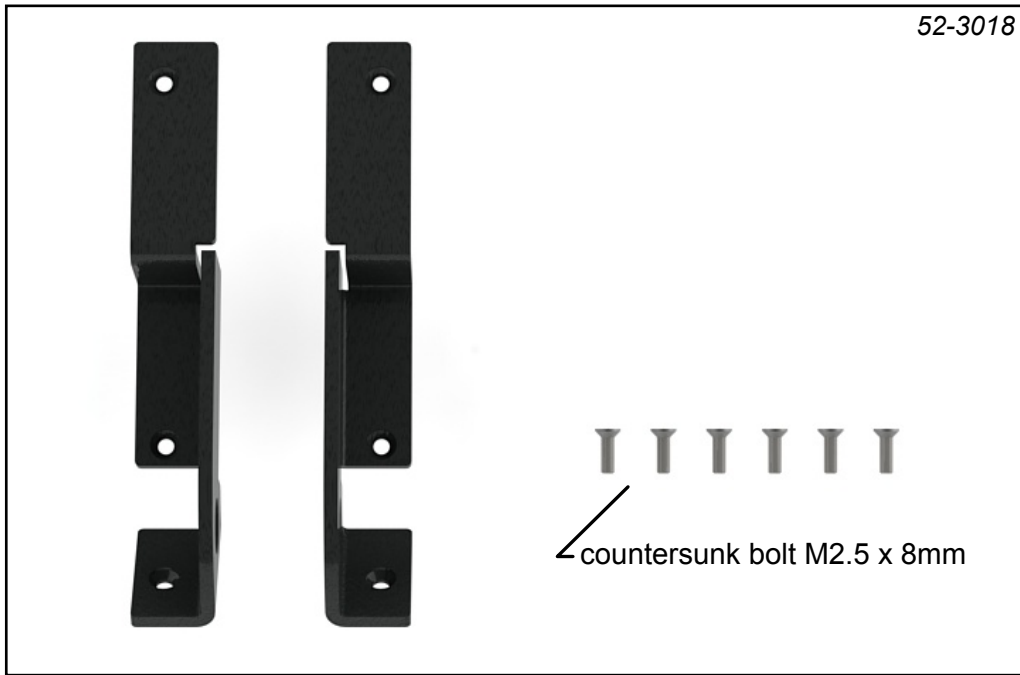
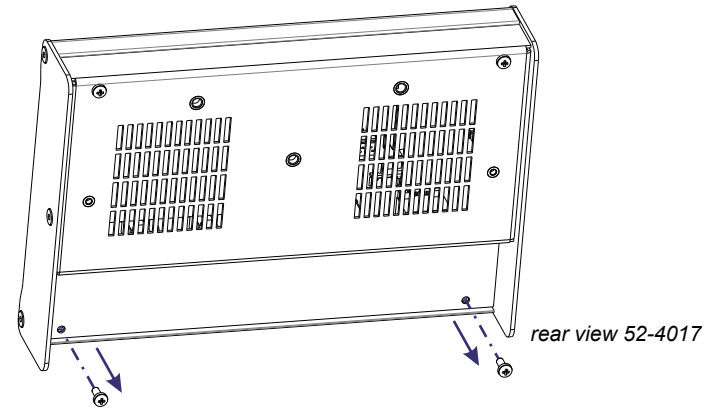


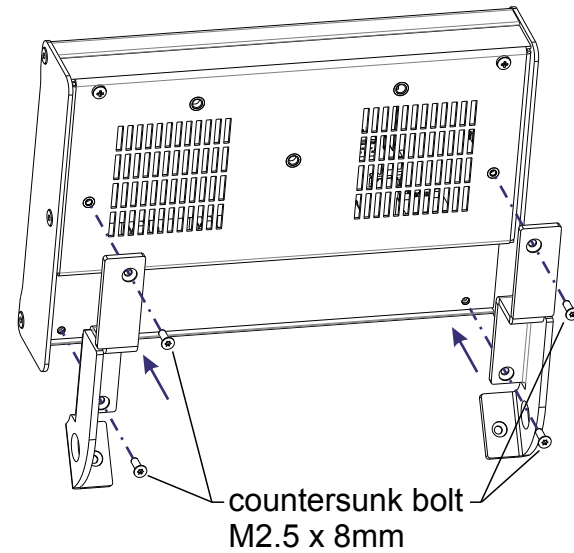
# 52-3018 Mounting Kit for 52-4017 TFT/Touch Display for fixing to 52-28xx frames



step 1



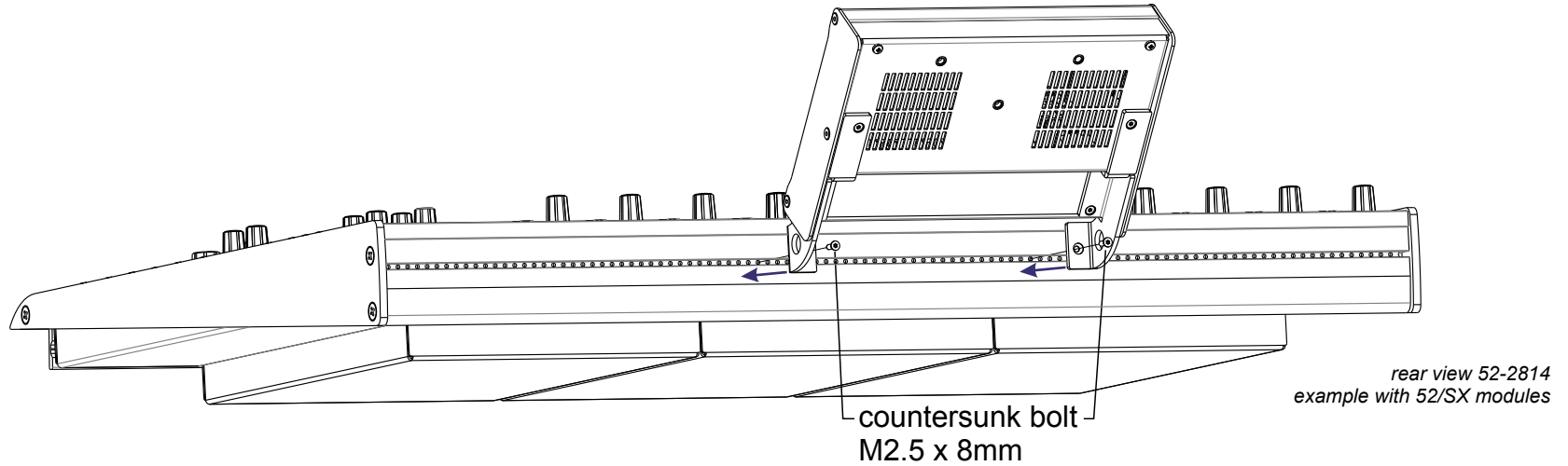
step 2



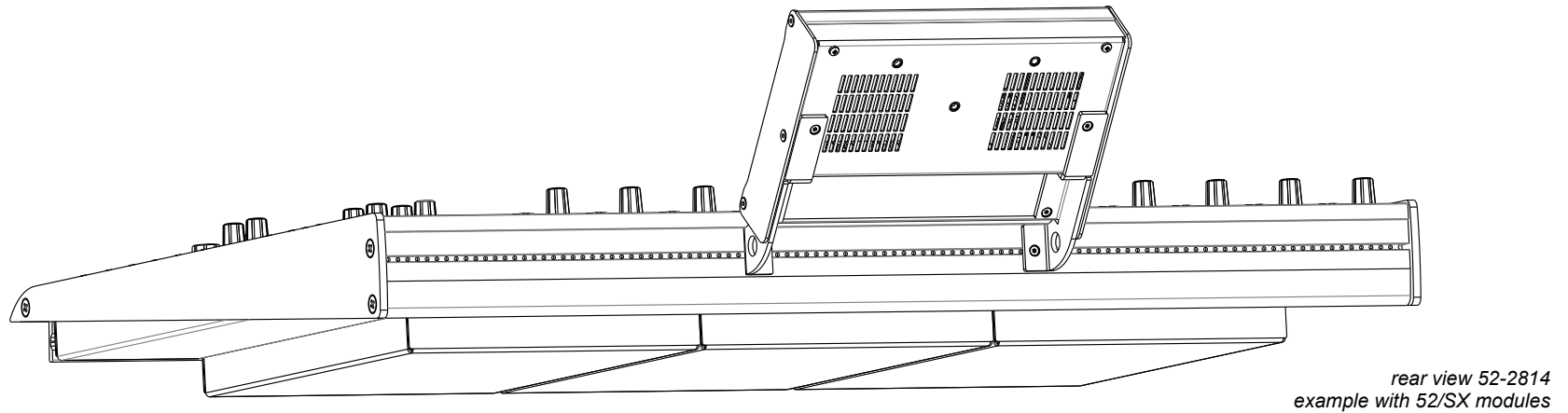
Specifications and design are subject to change without notice.  
The content of this document is for information only. The information presented in this document does not form part of any quotation or contract, is believed to be accurate and reliable and may be changed without notice. No liability will be accepted by the publisher for any consequence of its use.  
Publication thereof does neither convey nor imply any license under patent- or other industrial or intellectual property rights.

## 52-3018 Mounting Kit for 52-4017 TFT/Touch Display for fixing to 52-28xx frames

step  
3



ready



Specifications and design are subject to change without notice.  
The content of this document is for information only. The information presented in this document does not form part of any quotation or contract, is believed to be accurate and reliable and may be changed without notice. No liability will be accepted by the publisher for any consequence of its use.  
Publication thereof does neither convey nor imply any license under patent- or other industrial or intellectual property rights.