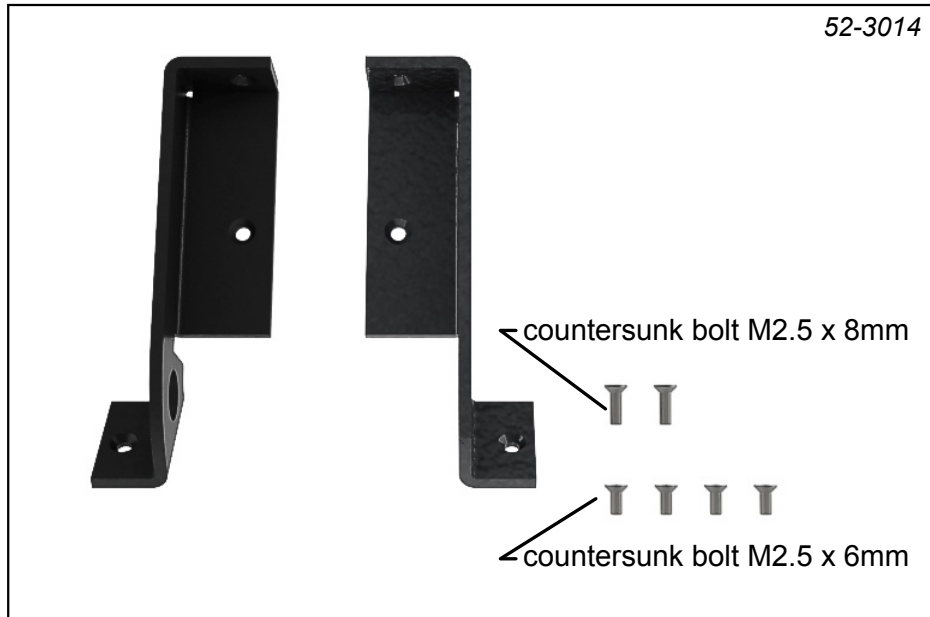
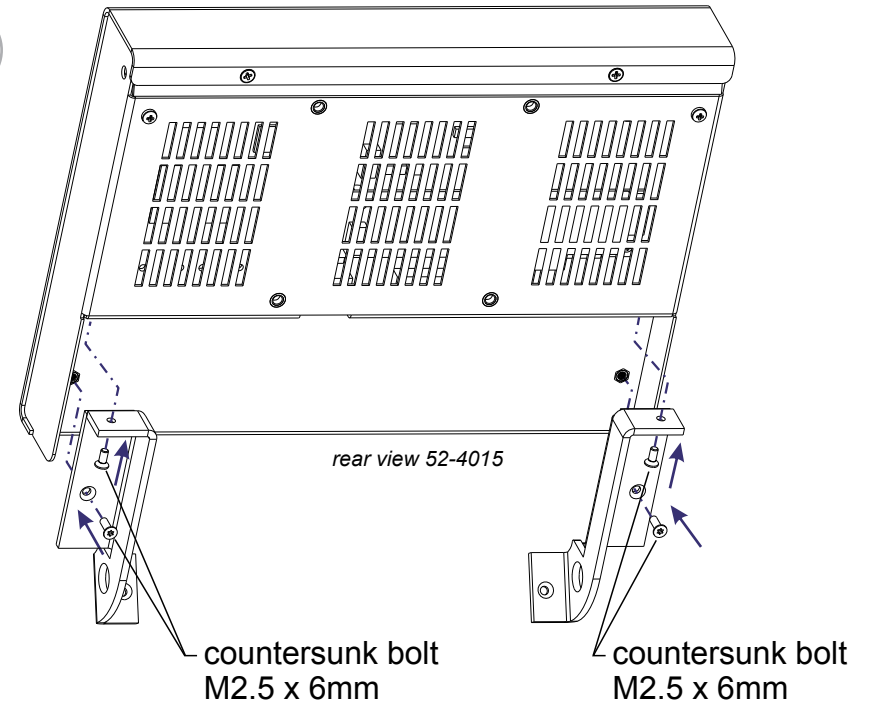


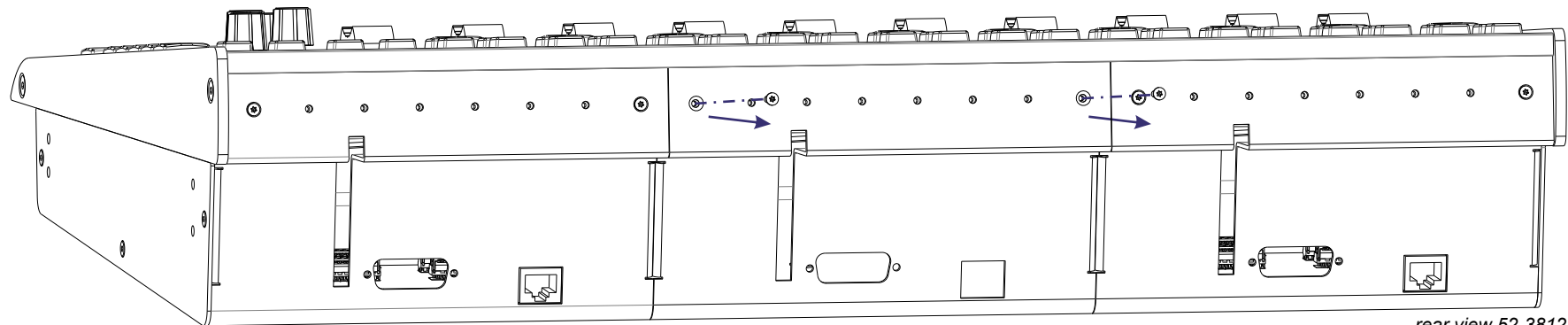
52-3014 Mounting Kit for 52-4015 TFT/Touch Display for fixing to 52-34xx and 52-38xx frames



step
1



step
2

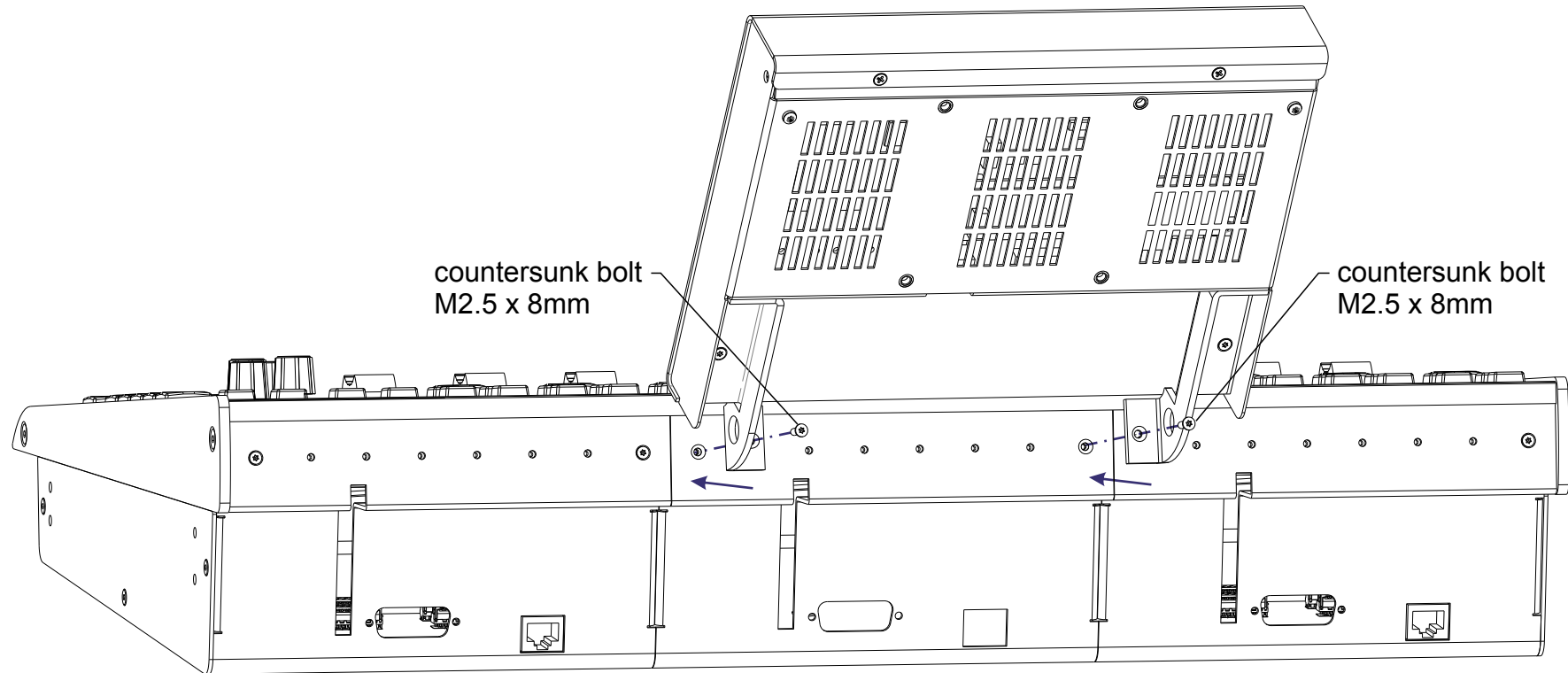


rear view 52-3812
example with 52/MX modules

Specifications and design are subject to change without notice.
The content of this document is for information only. The information presented in this document does not form part of any quotation or contract, is believed to be accurate and reliable and may be changed without notice. No liability will be accepted by the publisher for any consequence of its use.
Publication thereof does neither convey nor imply any license under patent- or other industrial or intellectual property rights.

52-3014 Mounting Kit for 52-4015 TFT/Touch Display for fixing to 52-34xx and 52-38xx frames

step
3



*Specifications and design are subject to change without notice.
The content of this document is for information only. The information presented in this document does not form part of any quotation or contract, is believed to be accurate and reliable and may be changed without notice. No liability will be accepted by the publisher for any consequence of its use.
Publication thereof does neither convey nor imply any license under patent- or other industrial or intellectual property rights.*