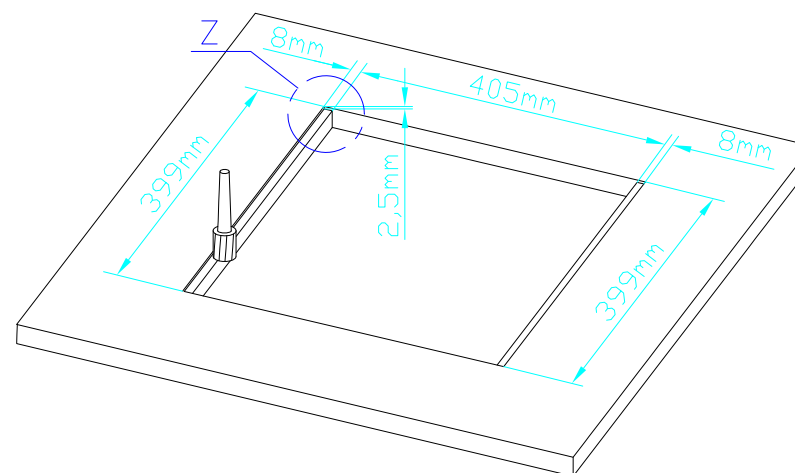
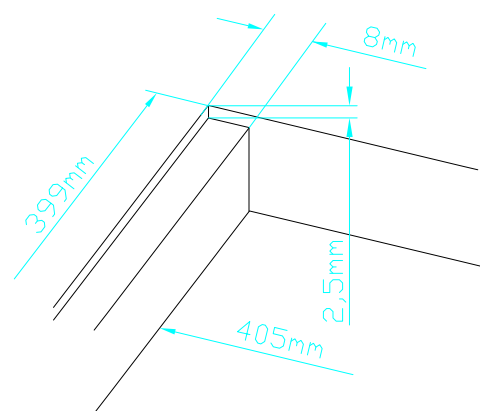



view Z:
further details, see
view X (next page):

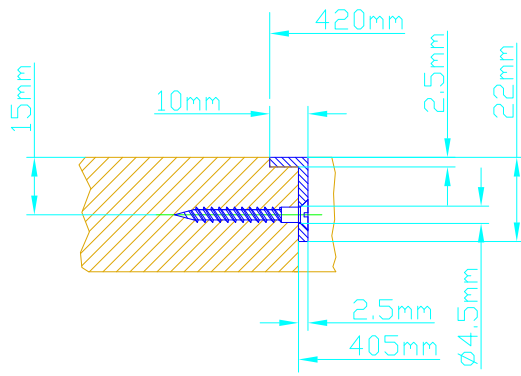


Cutout for Table-Installation Frame 52-2610 of Mixing Console 52/SX.
For dimensions of Table-Installation Frame, see next page!

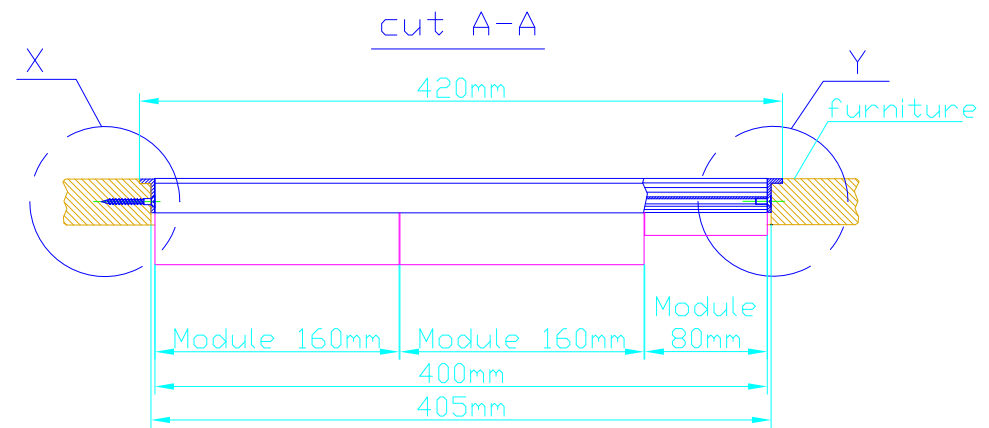
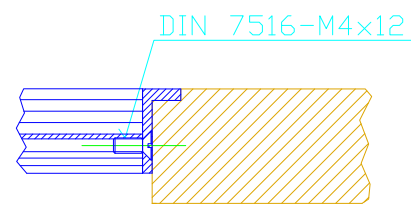
Specifications and design are subject to change without notice. The content of this document is for information only. The information presented in this document does not form part of any quotation or contract, is believed to be accurate and reliable and may be changed without notice. No liability will be accepted by the publisher for any consequence of its use. Publication thereof does neither convey nor imply any license under patent- or other industrial or intellectual property rights.

 DHD Deubner Hoffmann Digital GmbH Haferkornstrasse 5 04129 Leipzig / Germany Phone: +49 341 5897020 Fax: +49 341 5897022 E-mail: dhd@dhd-audio.com Internet: www.dhd-audio.com	Scale: 1:5 (DIN A3)		
	Dimensions cutout for Table-Installation Frame 52-2610 (Installation Frame for 2 Fader Modules and 1 Central Module)		
Name: Miethling			
Date: 08.10.2010			
File: 52-2610_sx_dimension.dwg			

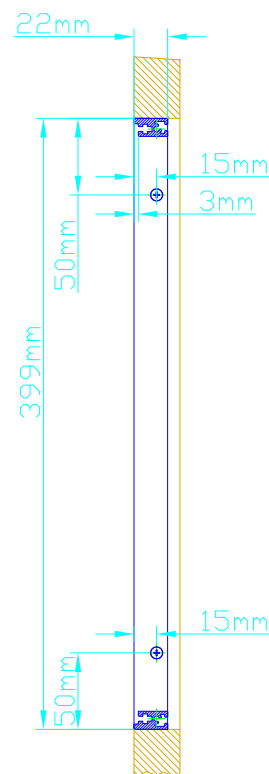
view X, scale 1:2



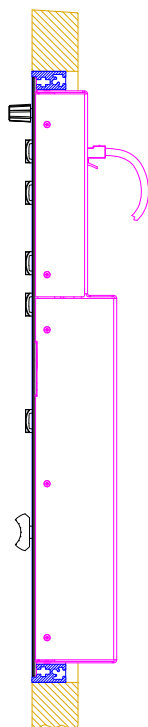
view Y, scale 1:2



cut B-B



cut C-C



cut D-D

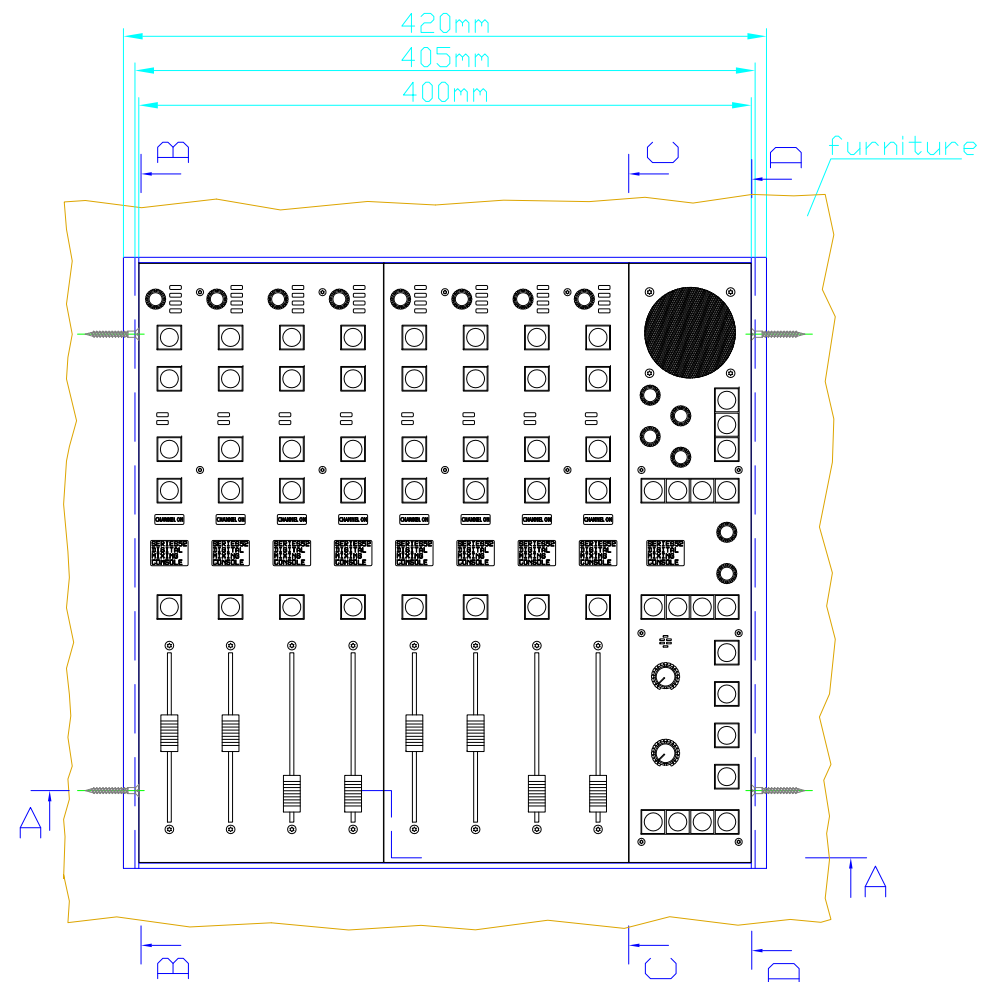
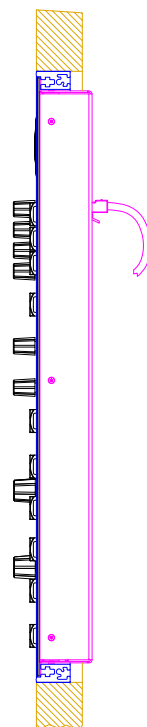



Table Installation Frame for example Mixing Console 52/SX

 <p>DHD Deubner Hoffmann Digital GmbH Haferkornstrasse 5 04129 Leipzig / Germany Phone: +49 341 5897020 Fax: +49 341 5897022 E-mail: dhd@dhd-audio.com Internet: www.dhd-audio.com</p>	Scale: 1:5 (DIN A3)		
	<p>Dimensions Table-Installation Frame of Mixing Consoles 52/SX</p>		
Name: Miethling	52-2610		Page: 2/2
Date: 08.10.2010	(Installation Frame for 2 Fader Modules and 1 Central Module)		
File: 52-2610_sx_dimension.dwg			

Specifications and design are subject to change without notice. The content of this document is for information only. The information presented in this document does not form part of any quotation or contract, is believed to be accurate and reliable and may be changed without notice. No liability will be accepted by the publisher for any consequence of its use. Publication thereof does neither convey nor imply any license under patent- or other industrial or intellectual property rights.