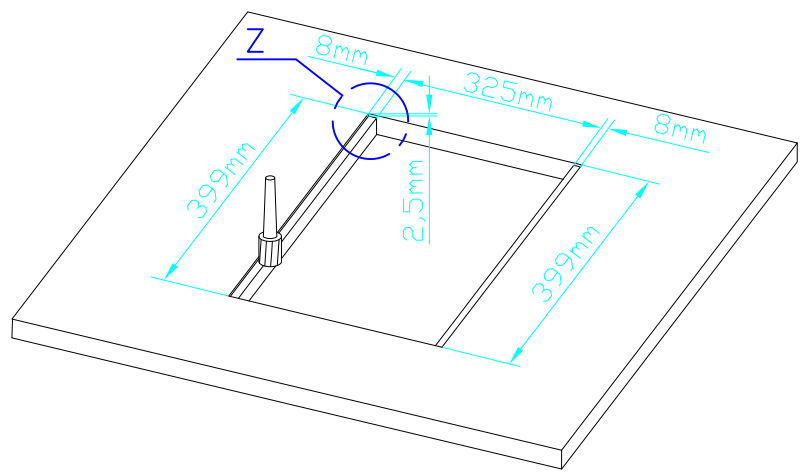
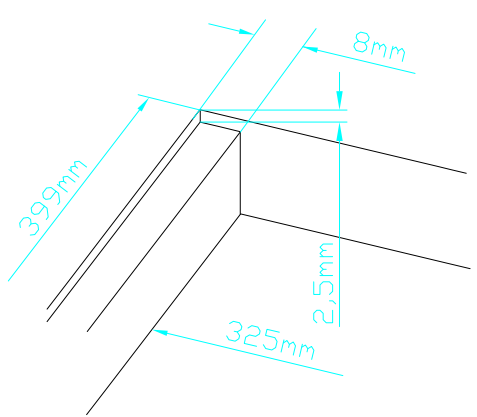



view Z:
 further details, see
 view X (next page):

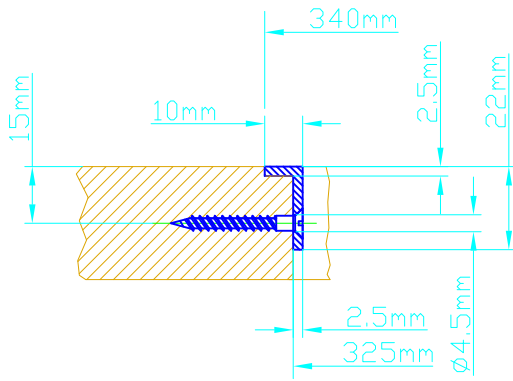


Cutout for Table-Installation Frame of Mixing Console 52/SX and 52/RX.
 For dimensions of Table-Installation Frame, see next page!

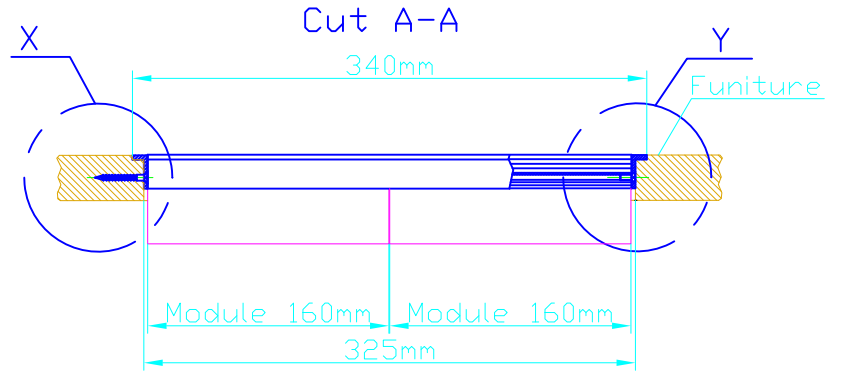
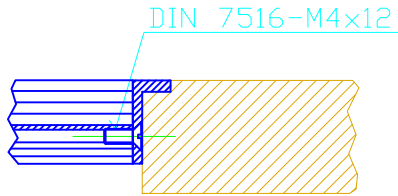
 DHD Deubner Hoffmann Digital GmbH Haferkornstrasse 5 04129 Leipzig / Germany Phone: +49 341 5897020 Fax: +49 341 5897022 E-mail: dhd@dhd-audio.com Internet: www.dhd-audio.com	Scale: 1:5 (DIN A4)		
	Dimensions Table-Installation Frame of Mixing Consoles 52/RX and 52/SX		
Name: Miethling	52-2608		Page: 1/2
Date: 15.12.2011	(Installation Frame for 2 Modules)		
File: 52-2606_dimension.dwg			

Specifications and design are subject to change without notice. The content of this document is for information only. The information presented in this document does not form part of any quotation or contract, is believed to be accurate and reliable and may be changed without notice. No liability will be accepted by the publisher for any consequence of its use. Publication thereof does neither convey nor imply any license under patent- or other industrial or intellectual property rights.

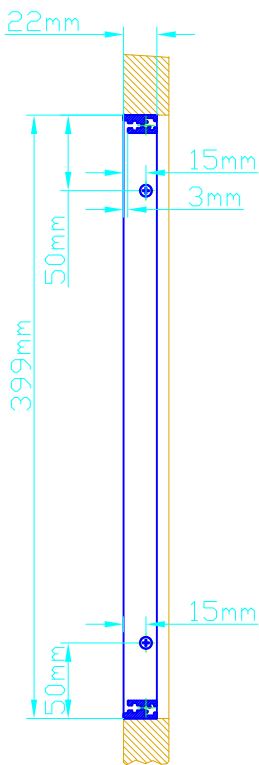
View X M 1:2



View Y M 1:2



Cut B-B



Cut C-C

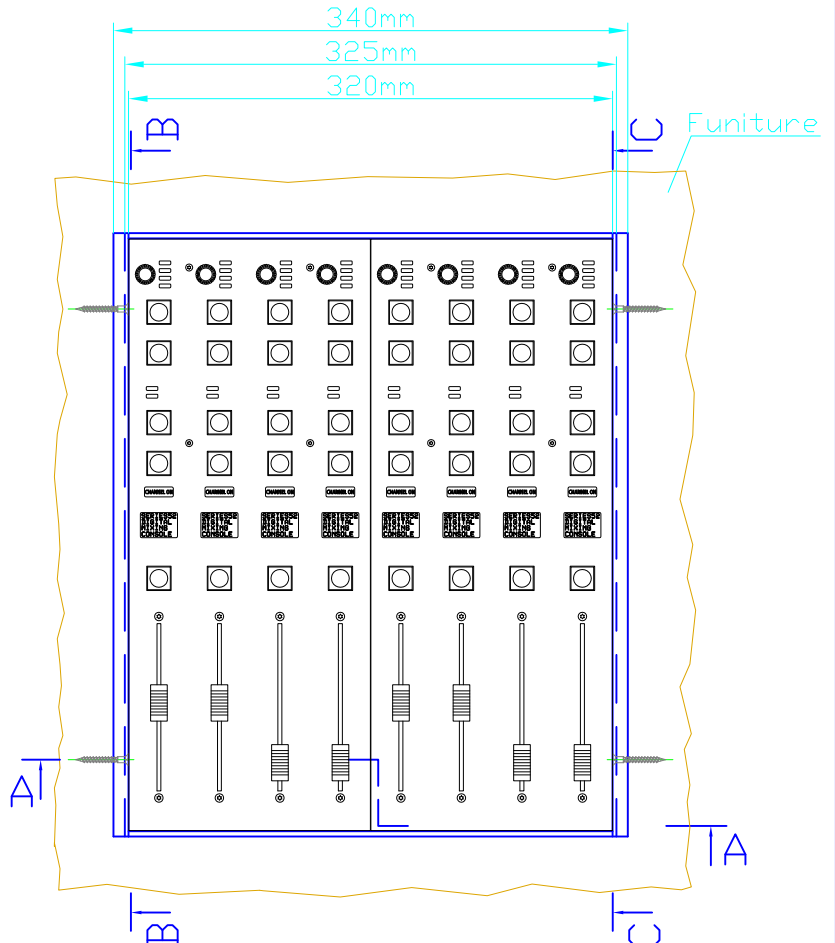
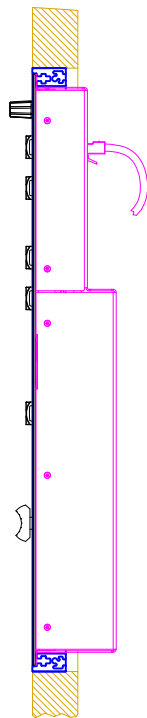


Table-Installation Frame for example Mixing Console 52/SX

Note:

52-2608A will be delivered with magnetic fixing for 52/SX control modules,
52-2608B will be delivered with threaded rail inserts for 52/RX control modules.



DHD
Deubner Hoffmann Digital GmbH
Hafenkornstrasse 5
04129 Leipzig / Germany
Phone: +49 341 5897020
Fax: +49 341 5897022
E-mail: dhd@dhd-audio.com
Internet: www.dhd-audio.com

Scale: 1:5 (DIN A4)

Dimensions Table Installation Frame
of Mixing Consoles 52/RX and 52/SX

Name: Miethling
Date: 15.12.2011
File: 52-2608_dimension.dwg

52-2608
(Installation Frame for 2 Modules)

Page:
2/2