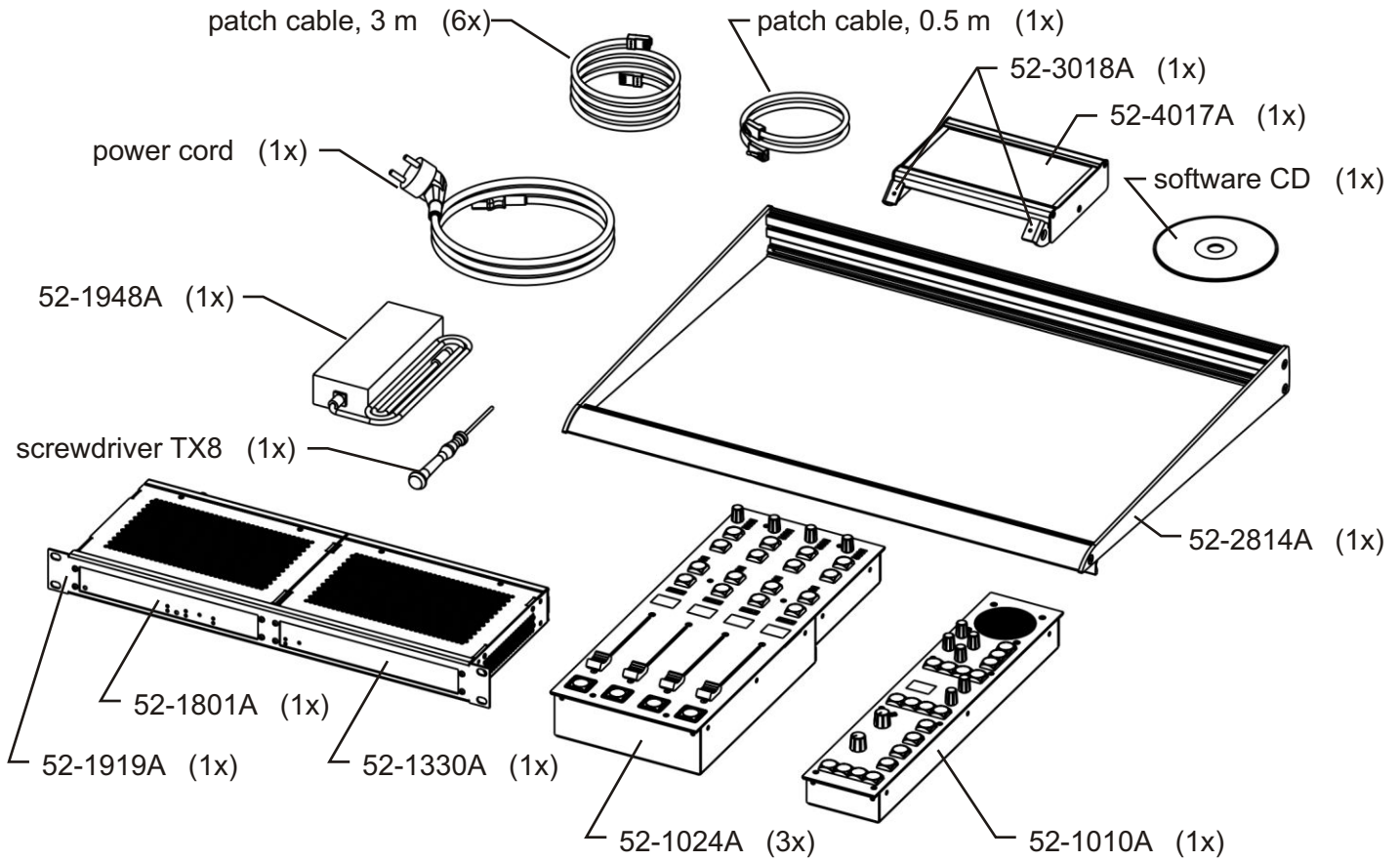


52-1994A - SX Bundle

Package contents:



part nr.	name	qty.
52-1010A	SX Central Module	1x
52-1024A	SX Fader Module	3x
52-1330A	XS Multi I/O Box	1x
52-1801A	XS Core	1x
52-1919A	XS 19" Adapterpanel	1x
52-1948A	XS Power Supply 48V/120W	1x
52-2814A	SX Console Frame	1x
52-3018A	Console mounting kit for 52-4017	1x
52-4017A	TFT/Touch Display	1x
--	Power cord	1x
--	Patch cable, CAT5, 3m	6x
--	Patch cable, CAT5, 0.5m	1x
--	Screwdriver Torx TX8	1x
--	Software CD, Toolbox	1x

Specifications and design are subject to change without notice.

The content of this document is for information only. The information presented in this document does not form part of any quotation or contract, is believed to be accurate and reliable and may be changed without notice. No liability will be accepted by the publisher for any consequence of its use. Publication thereof does neither convey nor imply any license under patent- or other industrial or intellectual property rights.