

Series 52

52/DX Mixing Console Bundle Information

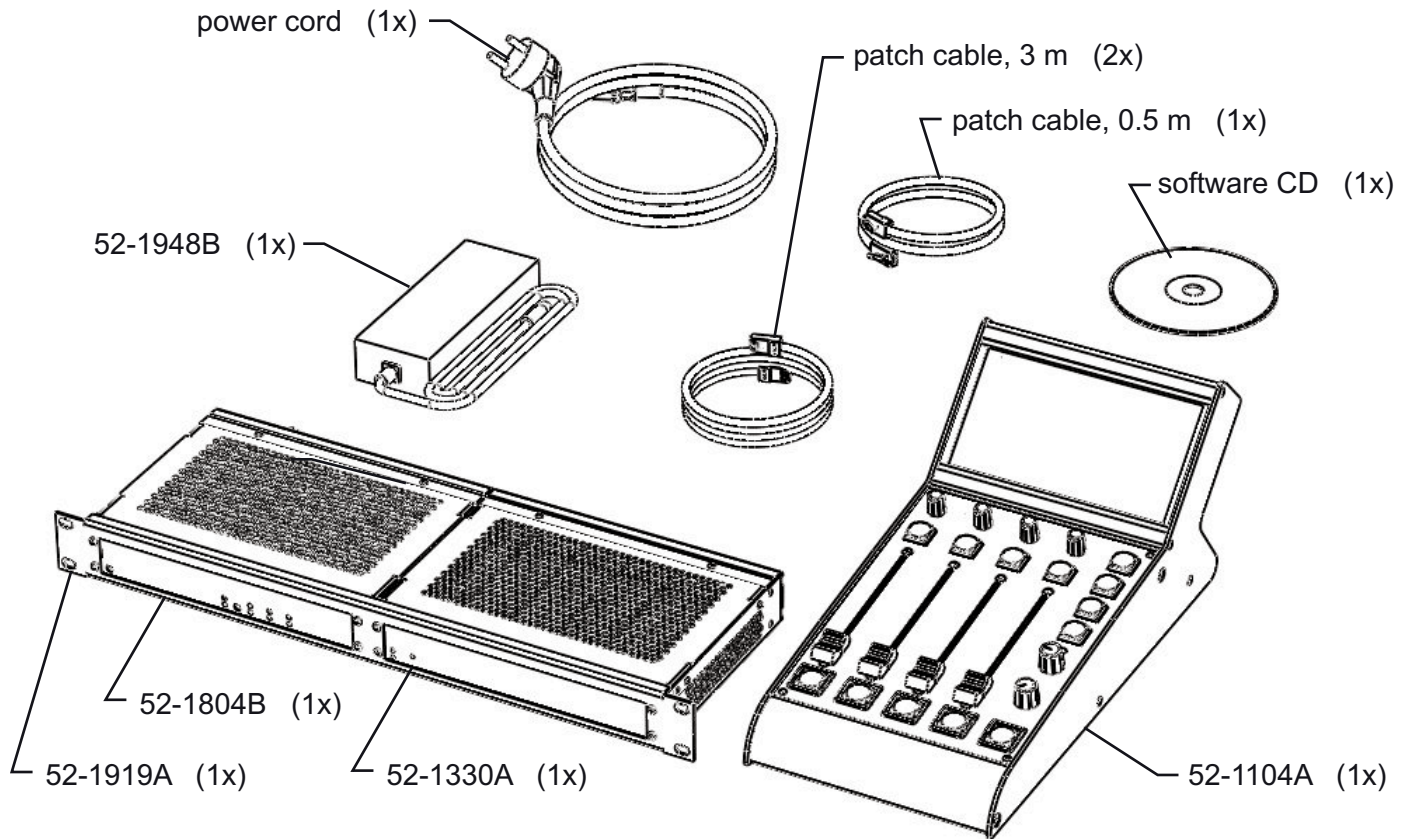
© 2013 DHD Deubner Hoffmann Digital GmbH



Version: 1.2.0

52-1991B - DX Bundle

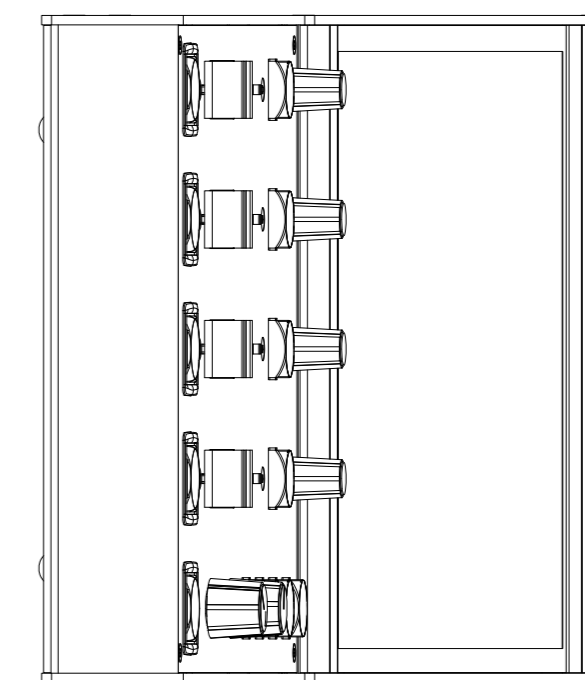
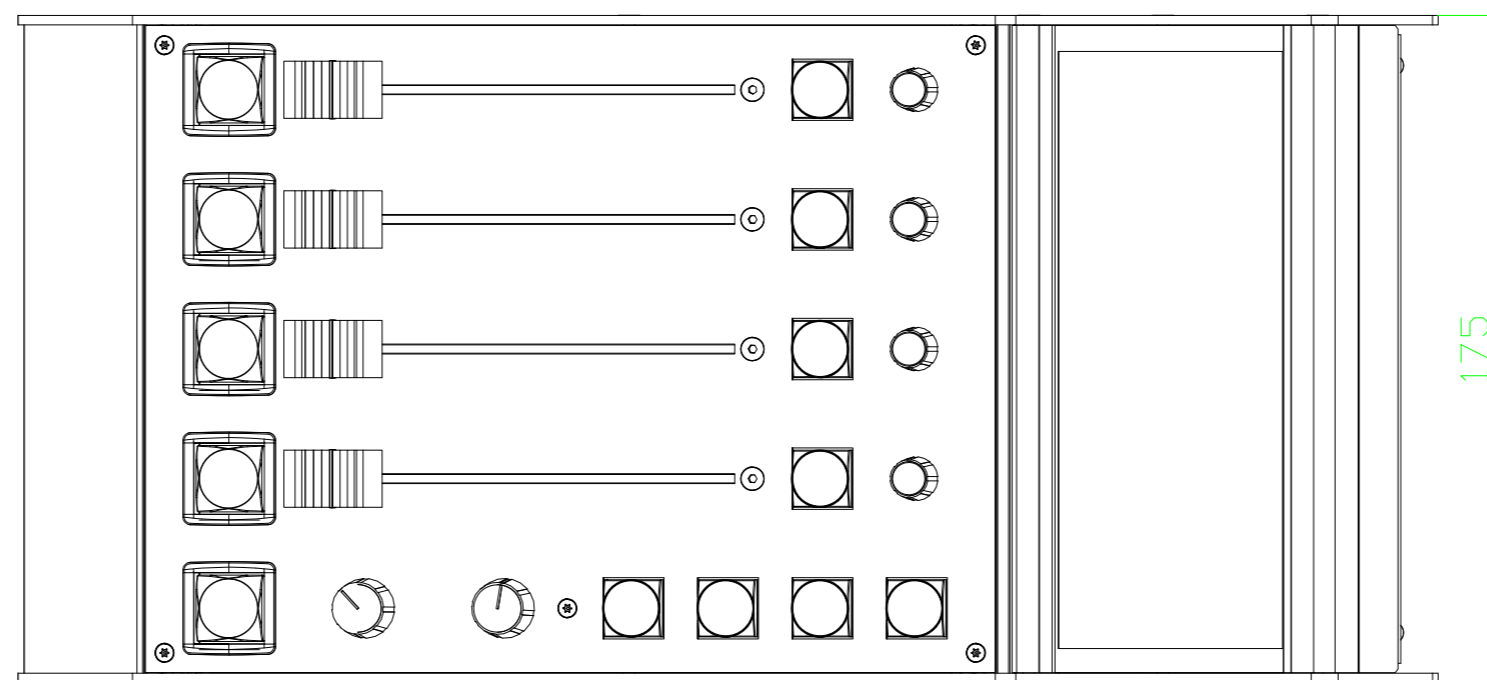
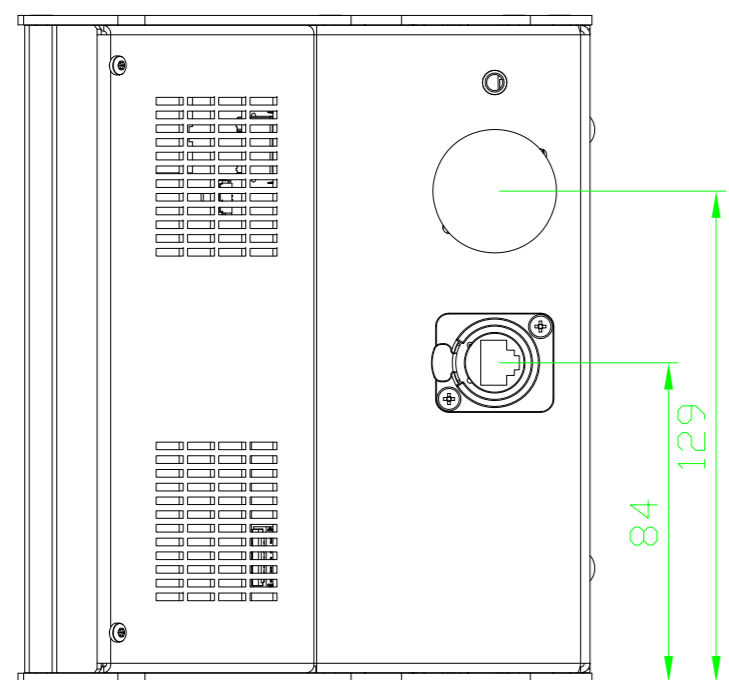
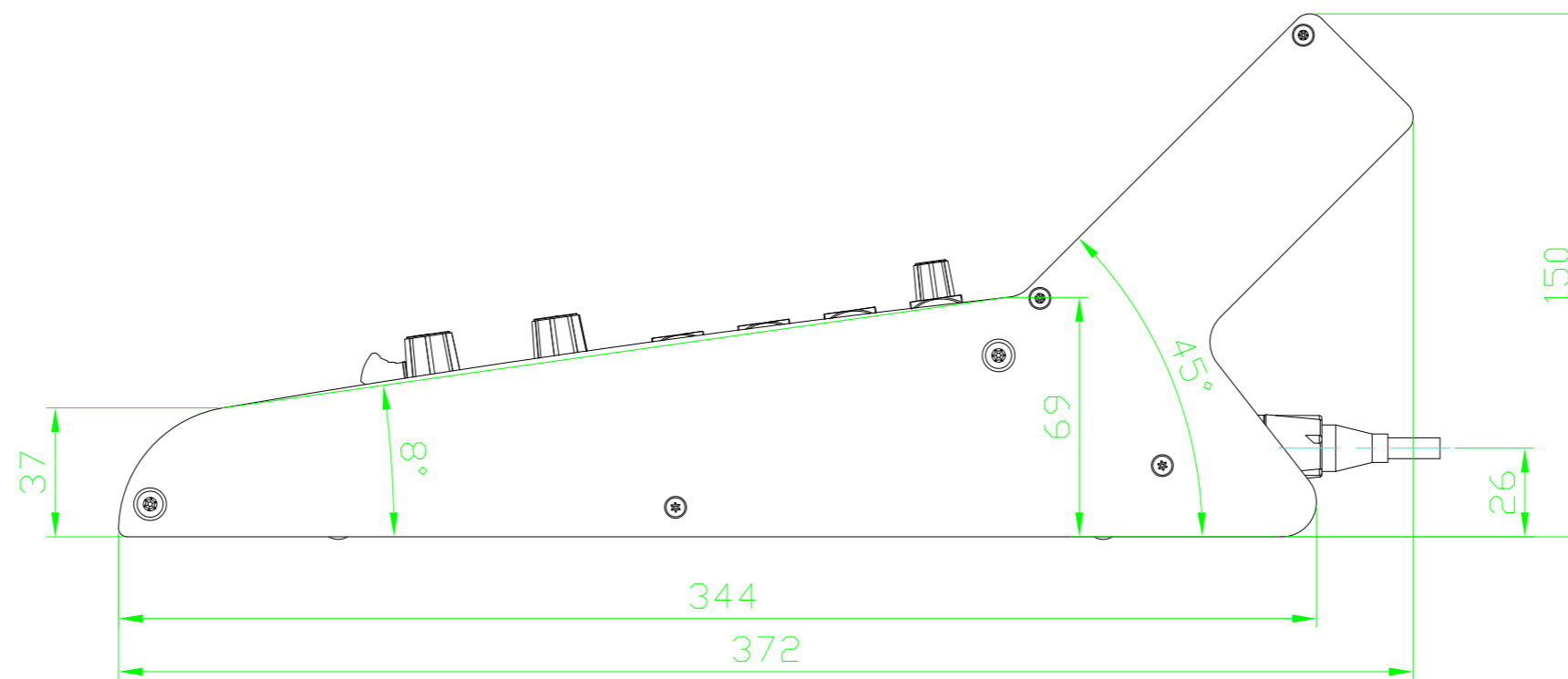
Package contents:



part nr.	name	qty.
52-1104A	DX Dextkop Mixer	1x
52-1330A	XS Multi I/O Box	1x
52-1804B	XS Core	1x
52-1919A	XS 19" Adapterpanel	1x
52-1948B	Power Supply 48V/100W	1x
--	Power cord	1x
--	Patch cable, CAT5, 3m	2x
--	Patch cable, CAT5, 0.5m	1x
--	Software CD, Toolbox	1x

Specifications and design are subject to change without notice.

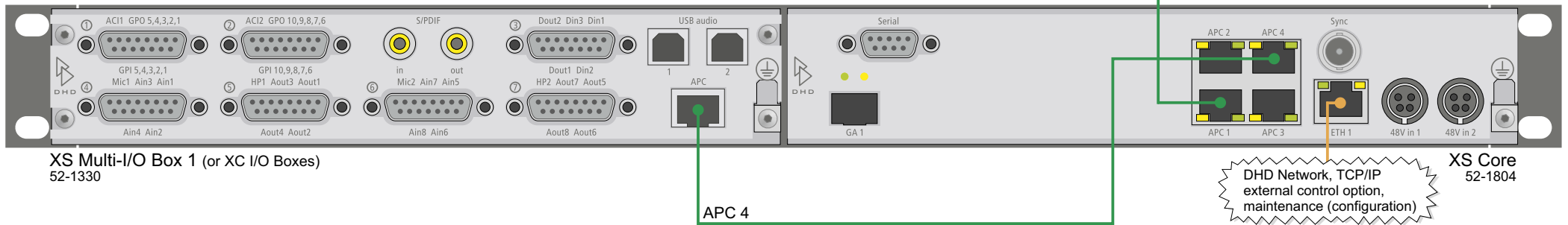
The content of this document is for information only. The information presented in this document does not form part of any quotation or contract, is believed to be accurate and reliable and may be changed without notice. No liability will be accepted by the publisher for any consequence of its use. Publication thereof does neither convey nor imply any license under patent- or other industrial or intellectual property rights.



Specifications and design are subject to change without notice.
 The content of this document is for information only. The information presented in this document does not form part of any quotation or contract, is believed to be accurate and reliable and may be changed without notice. No liability will be accepted by the publisher for any consequence of its use. Publication thereof does neither convey nor imply any license under patent- or other industrial or intellectual property rights.

Cabling Overview - Example 52/DX and 1 XS Multi-I/O Box

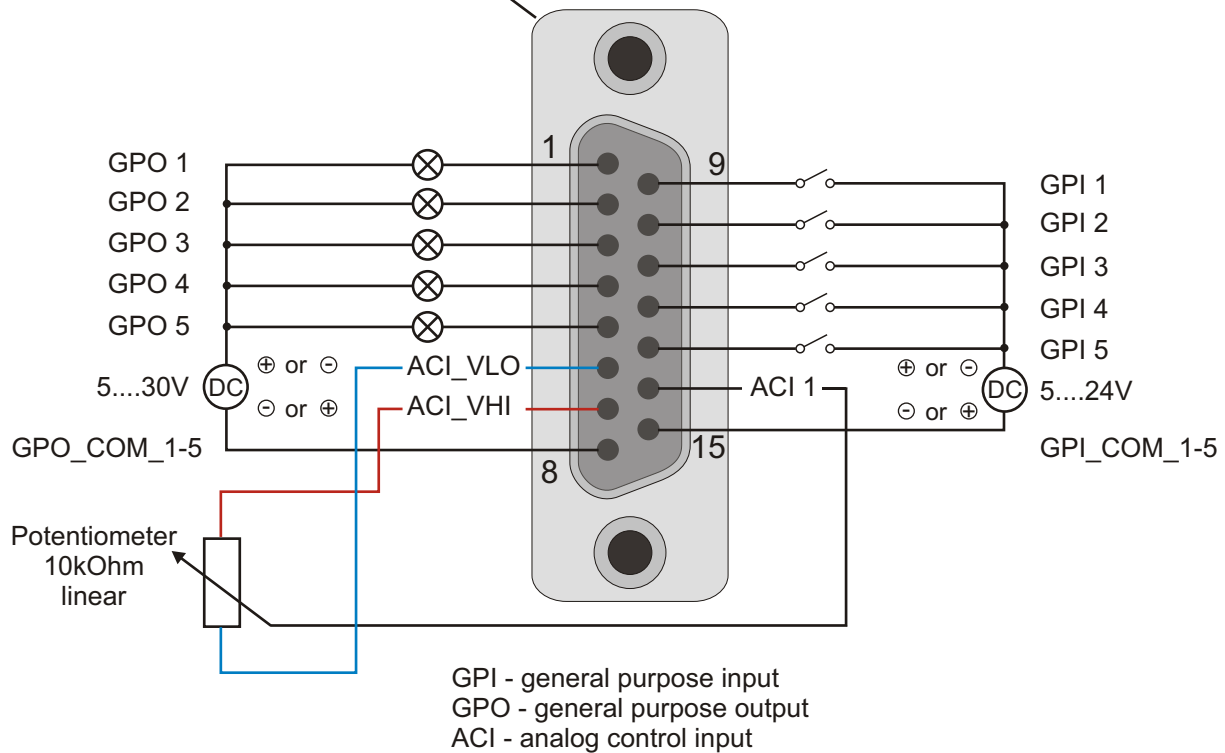
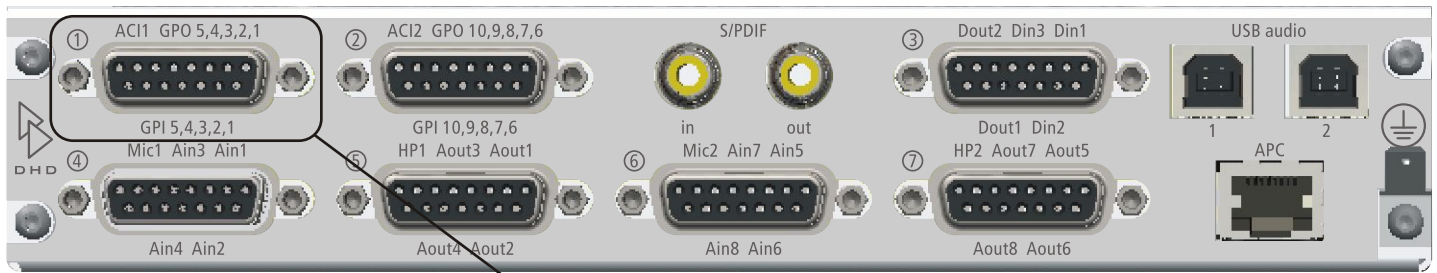
52/DX Desktop Mixer
52-1104



- DHD Network, Ethernet CAT5/6
- APC - Audio, Power, Control, Ethernet CAT5/6

52-1330 Pin Assignment

D-Sub 15 - connector 1



Notes:

GPI and GPO sections are isolated from each other and from the modules internal circuits.

GPI section uses common wire GPI_COM for all 5 GPIs.

Polarity of DC between GPIs and GPI_COM is not relevant.

GPI: ON voltage 5 V ... 24 V (DC) without external resistor, internal current limiter to 4 mA current for ON, OFF voltage: 0 V ... + 1.5 V

GPO section uses common wire GPO_COM for all 5 GPOs.

Polarity of DC between GPOs and GPO_COM is not relevant.

GPO: maximum rated current: 0,2A (resettable fuse), maximum peak switched voltage: 30V AC or DC

Do not use any of the ACI signals for other purposes than wiring to the potentiometer!

ACI_VLO must not be connected to chassis, housing, earth, shield or other common signals!

The potentiometer must have a resistance value of 10kOhms (linear)!

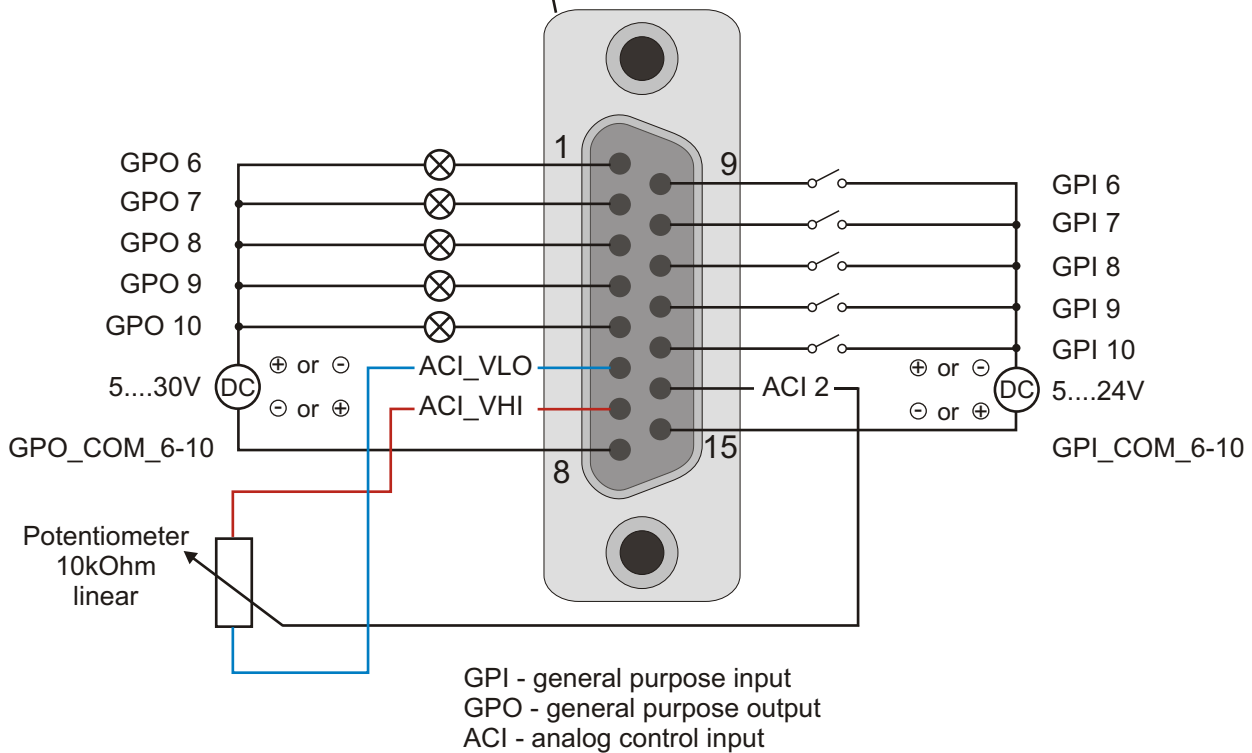
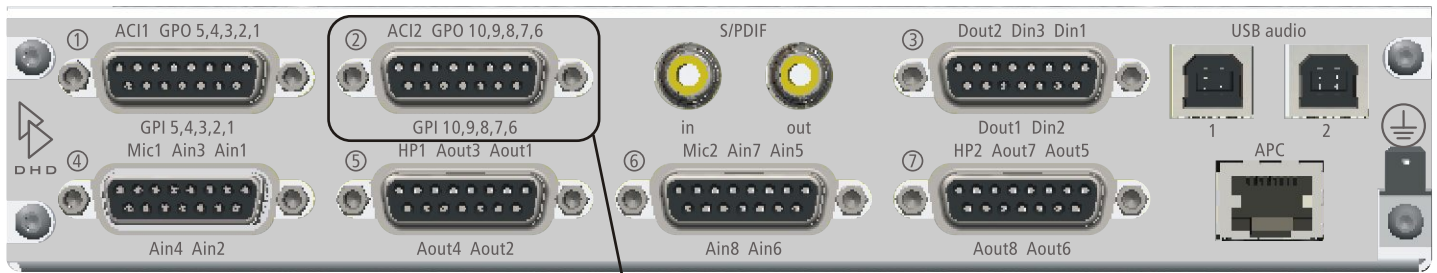
ACI_VHI, ACI_VLO of connectors 1 and 2 are internally connected.

Specifications and design are subject to change without notice.

The content of this document is for information only. The information presented in this document does not form part of any quotation or contract, is believed to be accurate and reliable and may be changed without notice. No liability will be accepted by the publisher for any consequence of its use. Publication thereof does neither convey nor imply any license under patent- or other industrial or intellectual property rights.

52-1330 Pin Assignment

D-Sub 15 - connector 2



Notes:

GPI and GPO sections are isolated from each other and from the modules internal circuits.

GPI section uses common wire GPI_COM for all 5 GPIs.

Polarity of DC between GPIs and GPI_COM is not relevant.

GPI: ON voltage 5 V ... 24 V (DC) without external resistor, internal current limiter to 4 mA current for ON, OFF voltage: 0 V ... + 1.5 V

GPO section uses common wire GPO_COM for all 5 GPOs.

Polarity of DC between GPOs and GPO_COM is not relevant.

GPO: maximum rated current: 0,2A (resettable fuse), maximum peak switched voltage: 30V AC or DC

Do not use any of the ACI signals for other purposes than wiring to the potentiometer!

ACI_VLO must not be connected to chassis, housing, earth, shield or other common signals!

The potentiometer must have a resistance value of 10kOhms (linear)!

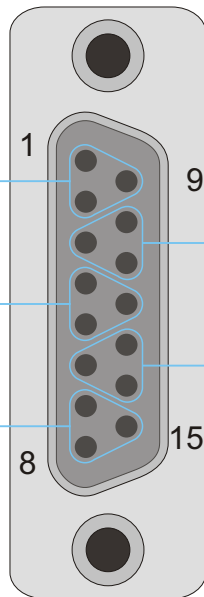
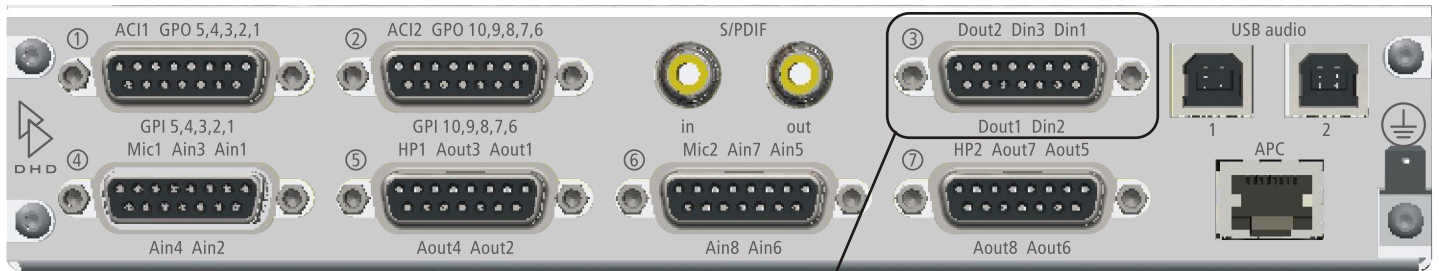
ACI_VHI, ACI_VLO of connectors 1 and 2 are internally connected.

Specifications and design are subject to change without notice.

The content of this document is for information only. The information presented in this document does not form part of any quotation or contract, is believed to be accurate and reliable and may be changed without notice. No liability will be accepted by the publisher for any consequence of its use. Publication thereof does neither convey nor imply any license under patent- or other industrial or intellectual property rights.

52-1330 Pin Assignment

D-Sub 15 - connector 3



Label	Type	Pin
Din1	AES3/EBU in 1+	1
	AES3/EBU in 1-	2
	SHIELD	9
Din3	AES3/EBU in 3+	4
	AES3/EBU in 3-	5
	SHIELD	12
Dout2	AES3/EBU out 2+	7
	AES3/EBU out 2-	8
	SHIELD	15

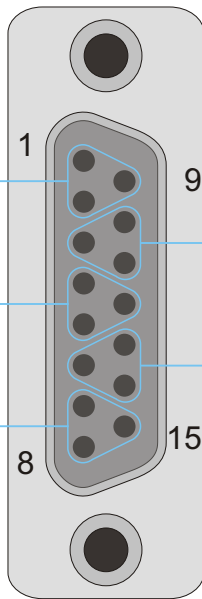
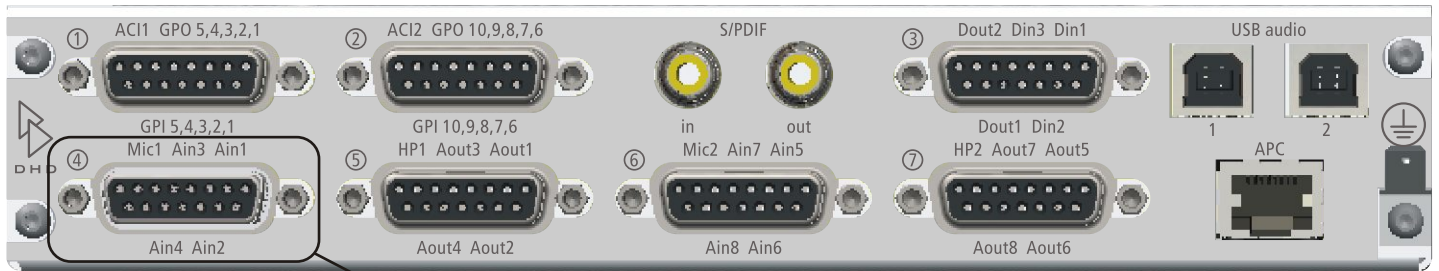
Pin	Type	Label
10	AES3/EBU in 2+	Din2
11	AES3/EBU in 2-	
3	SHIELD	
13	AES3/EBU out 1+	Dout1
14	AES3/EBU out 1-	
6	SHIELD	

Specifications and design are subject to change without notice.

The content of this document is for information only. The information presented in this document does not form part of any quotation or contract, is believed to be accurate and reliable and may be changed without notice. No liability will be accepted by the publisher for any consequence of its use. Publication thereof does neither convey nor imply any license under patent- or other industrial or intellectual property rights.

52-1330 Pin Assignment

D-Sub 15 - connector 4



Label	Type	Pin
Ain1	LINE in 1+	1
	LINE in 1-	2
	SHIELD	9
Ain3	LINE in 3+	4
	LINE in 3-	5
	SHIELD	12
Mic1	MIC 1+	7
	MIC 1-	8
	SHIELD	15

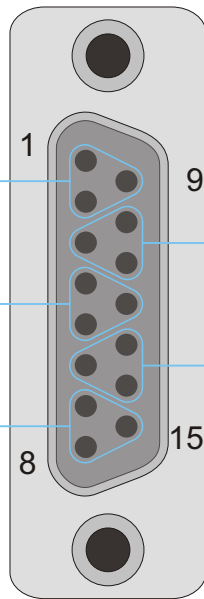
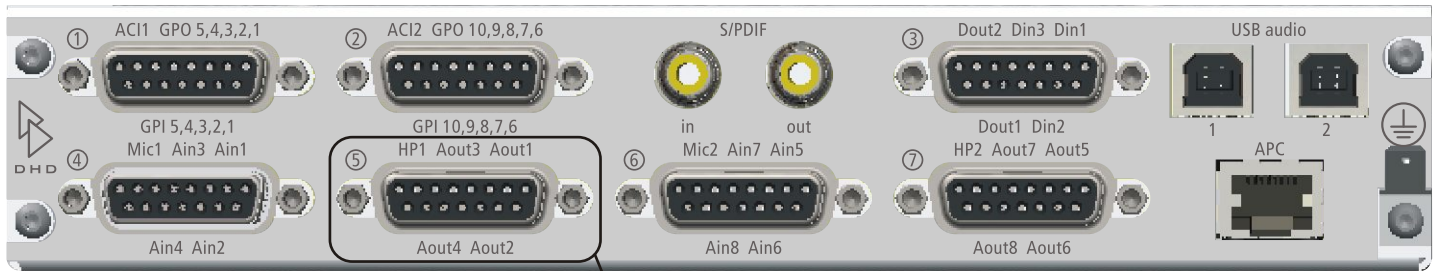
Pin	Type	Label
10	LINE in 2+	Ain2
11	LINE in 2-	
3	SHIELD	
13	LINE in 4+	Ain4
14	LINE in 4-	
6	SHIELD	

Specifications and design are subject to change without notice.

The content of this document is for information only. The information presented in this document does not form part of any quotation or contract, is believed to be accurate and reliable and may be changed without notice. No liability will be accepted by the publisher for any consequence of its use. Publication thereof does neither convey nor imply any license under patent- or other industrial or intellectual property rights.

52-1330 Pin Assignment

D-Sub 15 - connector 5



Label	Type	Pin
Aout1	LINE out 1+	1
	LINE out 1-	2
	SHIELD	9
Aout3	LINE out 3+	4
	LINE out 3-	5
	SHIELD	12
HP1	HP 1 L	7
	HP 1 R	8
	HP COM RETURN	15

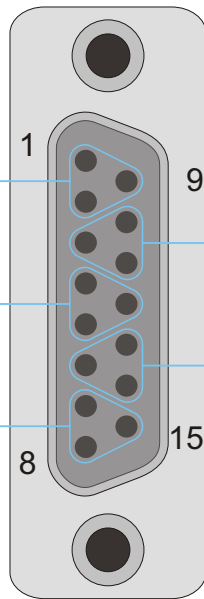
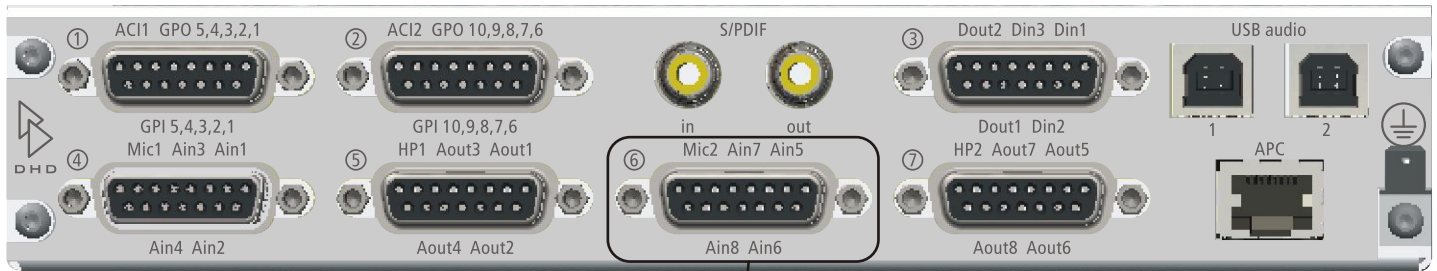
Pin	Type	Label
10	LINE out 2+	Aout2
11	LINE out 2-	
3	SHIELD	
13	LINE out 4+	Aout4
14	LINE out 4-	
6	SHIELD	

Specifications and design are subject to change without notice.

The content of this document is for information only. The information presented in this document does not form part of any quotation or contract, is believed to be accurate and reliable and may be changed without notice. No liability will be accepted by the publisher for any consequence of its use. Publication thereof does neither convey nor imply any license under patent- or other industrial or intellectual property rights.

52-1330 Pin Assignment

D-Sub 15 - connector 6



Label	Type	Pin
Ain5	LINE in 5+	1
	LINE in 5-	2
	SHIELD	9
Ain7	LINE in 7+	4
	LINE in 7-	5
	SHIELD	12
Mic2	MIC 2+	7
	MIC 2-	8
	SHIELD	15

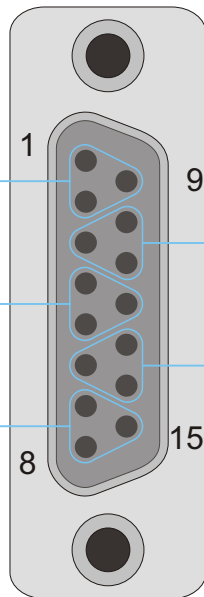
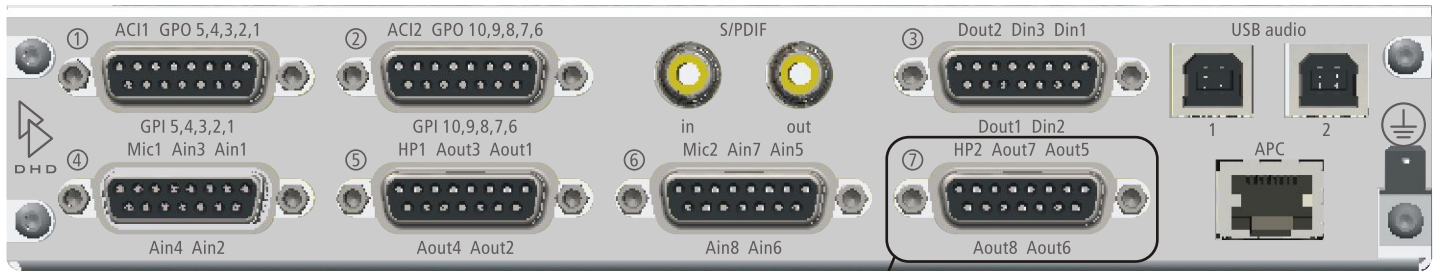
Pin	Type	Label
10	LINE in 6+	Ain6
11	LINE in 6-	
3	SHIELD	
13	LINE in 8+	Ain8
14	LINE in 8-	
6	SHIELD	

Specifications and design are subject to change without notice.

The content of this document is for information only. The information presented in this document does not form part of any quotation or contract, is believed to be accurate and reliable and may be changed without notice. No liability will be accepted by the publisher for any consequence of its use. Publication thereof does neither convey nor imply any license under patent- or other industrial or intellectual property rights.

52-1330 Pin Assignment

D-Sub 15 - connector 7



Label	Type	Pin
Aout5	LINE out 5+	1
	LINE out 5-	2
	SHIELD	9
Aout7	LINE out 7+	4
	LINE out 7-	5
	SHIELD	12
HP2	HP 2 L	7
	HP 2 R	8
	HP COM RETURN	15

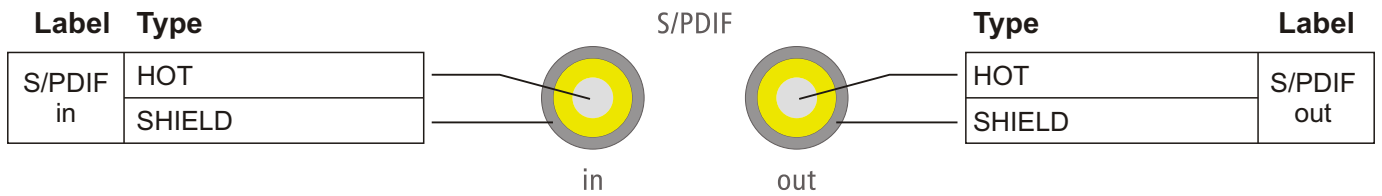
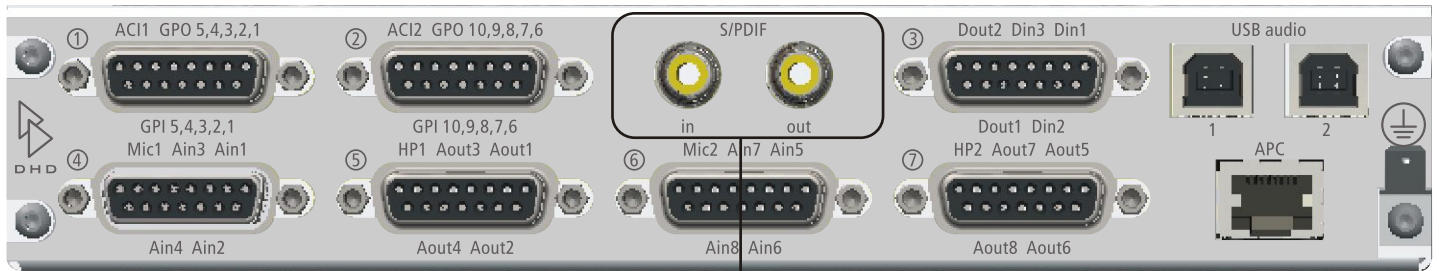
Pin	Type	Label
10	LINE out 6+	Aout6
11	LINE out 6-	
3	SHIELD	
13	LINE out 8+	Aout8
14	LINE out 8-	
6	SHIELD	

Specifications and design are subject to change without notice.

The content of this document is for information only. The information presented in this document does not form part of any quotation or contract, is believed to be accurate and reliable and may be changed without notice. No liability will be accepted by the publisher for any consequence of its use. Publication thereof does neither convey nor imply any license under patent- or other industrial or intellectual property rights.

52-1330 Pin Assignment

S/PDIF



Specifications and design are subject to change without notice.

The content of this document is for information only. The information presented in this document does not form part of any quotation or contract, is believed to be accurate and reliable and may be changed without notice. No liability will be accepted by the publisher for any consequence of its use. Publication thereof does neither convey nor imply any license under patent- or other industrial or intellectual property rights.

52-1330 Pin Assignment

USB audio

The USB audio ports are fully functional digital stereo inputs and outputs. Connected to a PC, each USB audio port is recognised as an USB audio device, which can be used for playback and recording in every audio software.



Important

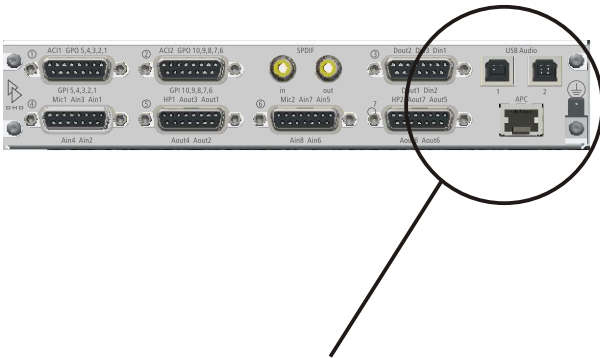
These USB audio ports can not be used for maintenance or control purposes.

The following applies to every USB audio port:

- 1 stereo input, sample rate converter
- 1 stereo output, sample rate converter (linked to associated input if activated in Toolbox)
- full-speed transceivers
- compliant with USB 2.0 specification
- bus-powered USB circuit (the windows driver still works when 52-1330 is powered off)
- default Windows USB audio device driver is used, no additional driver required

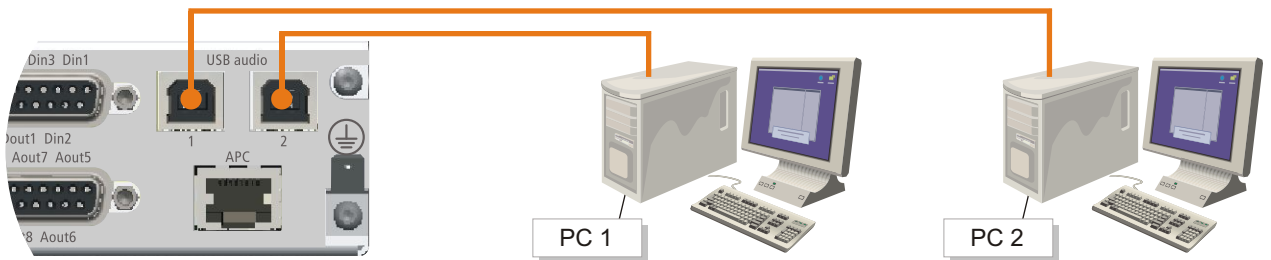
Two options for usage of USB audio are possible:

- **Option 1: Each USB audio port is connected to a separate PC**



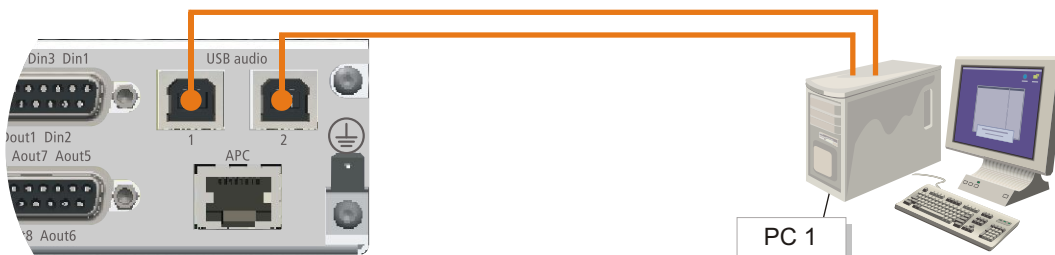
The following operation systems are supported for this option:

- Microsoft™ Windows™ 98SE/Windows Me (For Windows 98SE and Windows Me, the HID function is not fully functional with the default class driver.)
- Microsoft Windows 2000 Professional
- Microsoft Windows XP Home/Professional (For Windows XP, use the latest version of the USB audio driver available from the Windows Internet site, or apply Service Pack 1 or later.
- Microsoft Windows Vista™ Business
- Microsoft Windows 7™ Professional



- **Option 2: Both USB audio ports are connected to a single PC**

Windows 7 (32Bit or 64Bit) is required for proper use of both USB audio ports on one PC.
(For more information, see 52/SX manual.)



Specifications and design are subject to change without notice.

The content of this document is for information only. The information presented in this document does not form part of any quotation or contract, is believed to be accurate and reliable and may be changed without notice. No liability will be accepted by the publisher for any consequence of its use. Publication thereof does neither convey nor imply any license under patent- or other industrial or intellectual property rights.