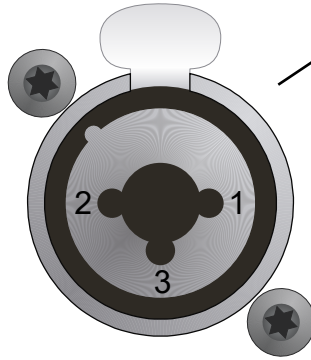


52-1830 Pin Assignment

Headphone connector



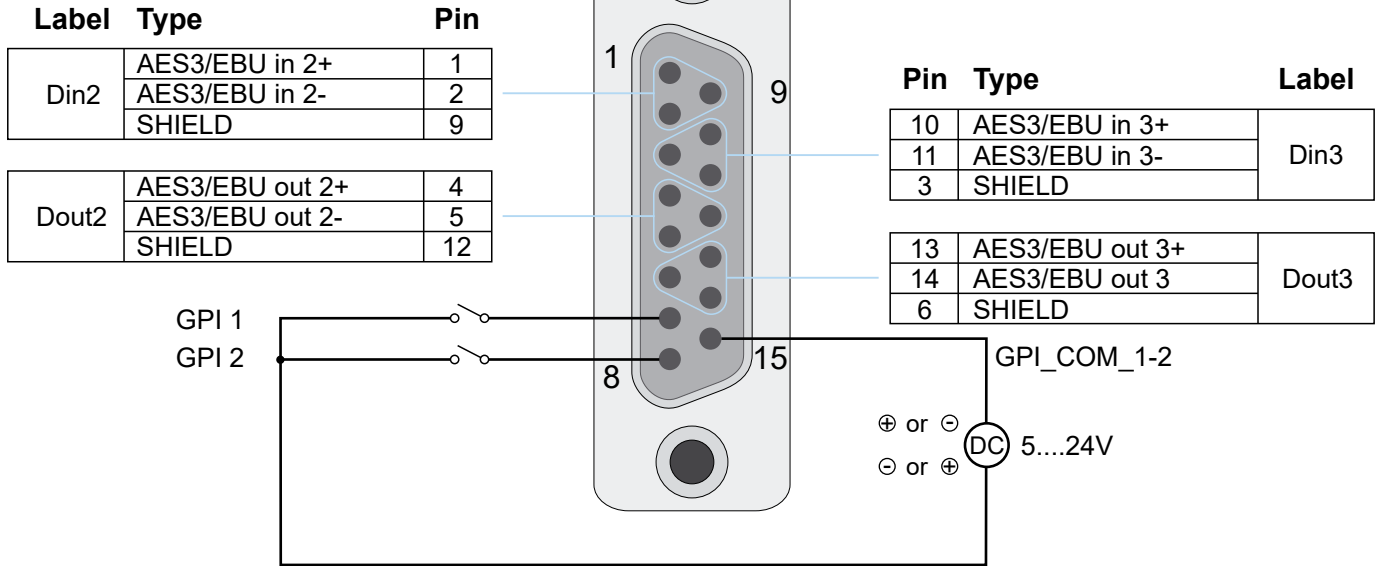
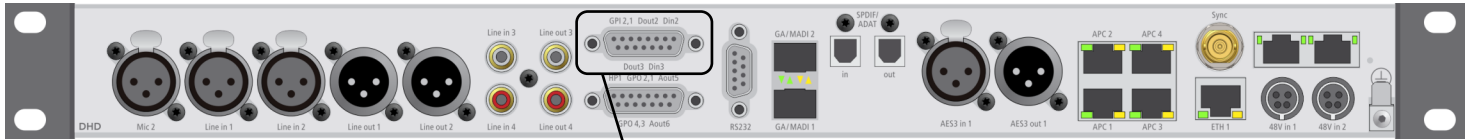
1/4" stereo jack	Type	XLR Pin
Sleeve	HP COM RETURN	1
Tip	HP 1 L	2
Ring	HP 1 R	3

Specifications and design are subject to change without notice.

The content of this document is for information only. The information presented in this document does not form part of any quotation or contract, is believed to be accurate and reliable and may be changed without notice. No liability will be accepted by the publisher for any consequence of its use. Publication thereof does neither convey nor imply any license under patent- or other industrial or intellectual property rights.

52-1830C Pin Assignment

D-Sub 15 - upper connector



GPI - general purpose input
 GPO - general purpose output

Notes:

GPI and GPO sections are isolated from each other and from the modules internal circuits.

GPI section uses common wire GPI_COM for GPI 1 and GPI 2.

Polarity of DC between GPIs and GPI_COM is not relevant.

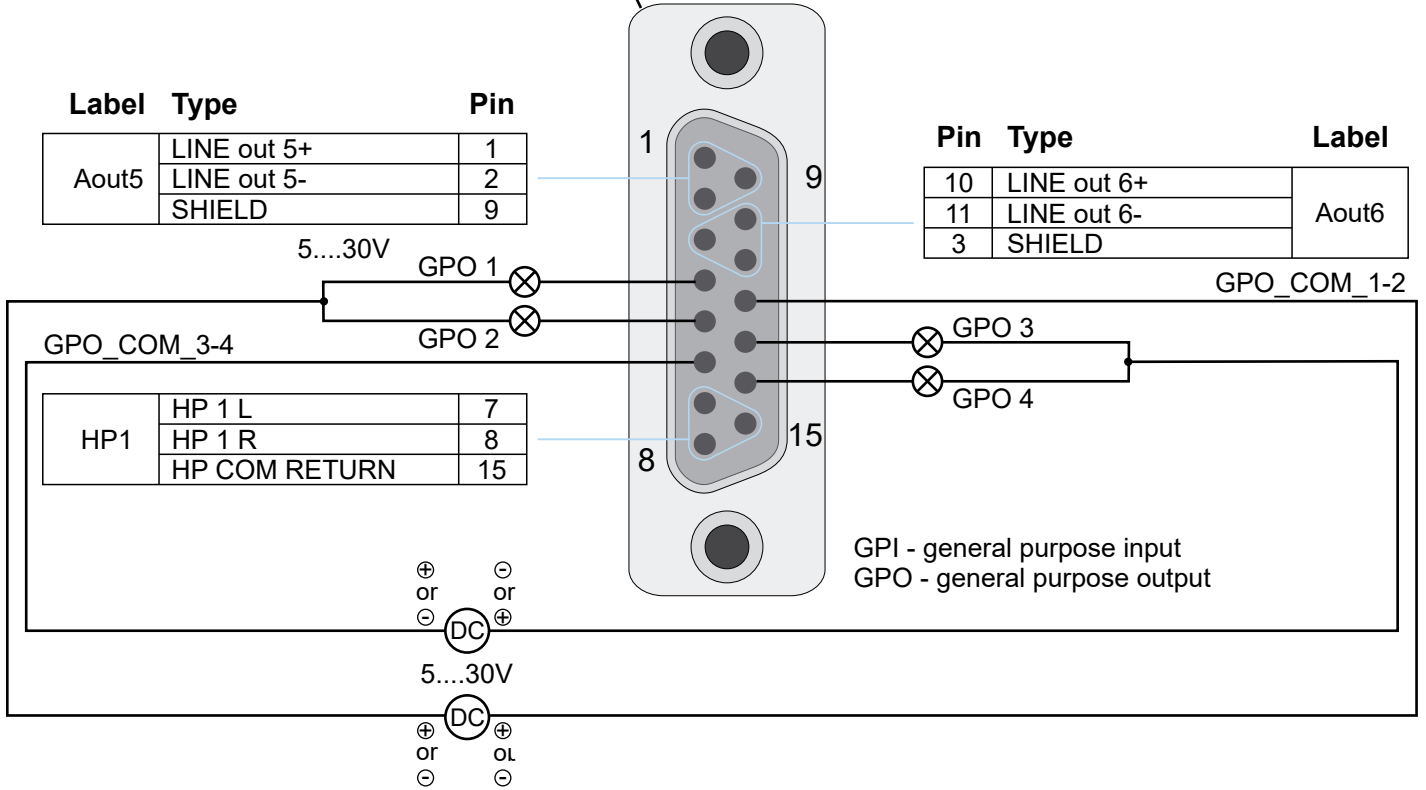
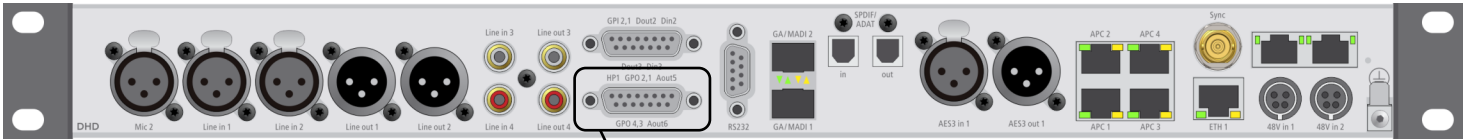
GPI: ON voltage 5 V ... 24 V (DC) without external resistor, internal current limiter to 4 mA current for ON, OFF voltage: 0 V ... + 1.5 V

Specifications and design are subject to change without notice.

The content of this document is for information only. The information presented in this document does not form part of any quotation or contract, is believed to be accurate and reliable and may be changed without notice. No liability will be accepted by the publisher for any consequence of its use. Publication thereof does neither convey nor imply any license under patent- or other industrial or intellectual property rights.

52-1830C Pin Assignment

D-Sub 15 - lower connector



Notes:

GPI and GPO sections are isolated from each other and from the modules internal circuits.

GPO section uses common wire GPO_COM_1-2 for GPO 1 and GPO 2 and
GPO_COM_3-4 for GPO 3 and GPO 4.

Polarity of DC between GPOs and GPO_COM is not relevant.

GPO: maximum rated current: 0,2A (resettable fuse), maximum peak switched voltage: 30V AC or DC

Specifications and design are subject to change without notice.

The content of this document is for information only. The information presented in this document does not form part of any quotation or contract, is believed to be accurate and reliable and may be changed without notice. No liability will be accepted by the publisher for any consequence of its use. Publication thereof does neither convey nor imply any license under patent- or other industrial or intellectual property rights.