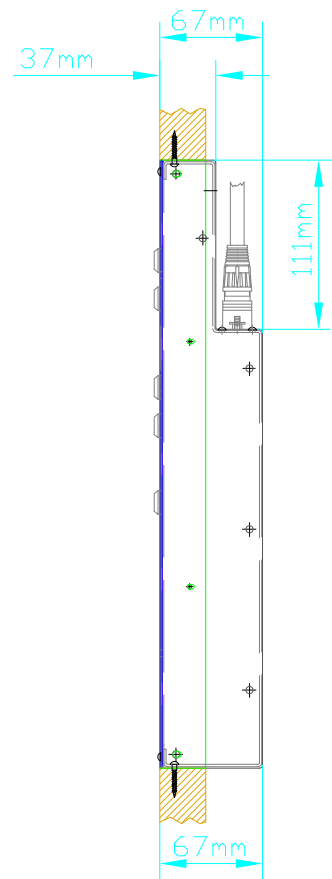
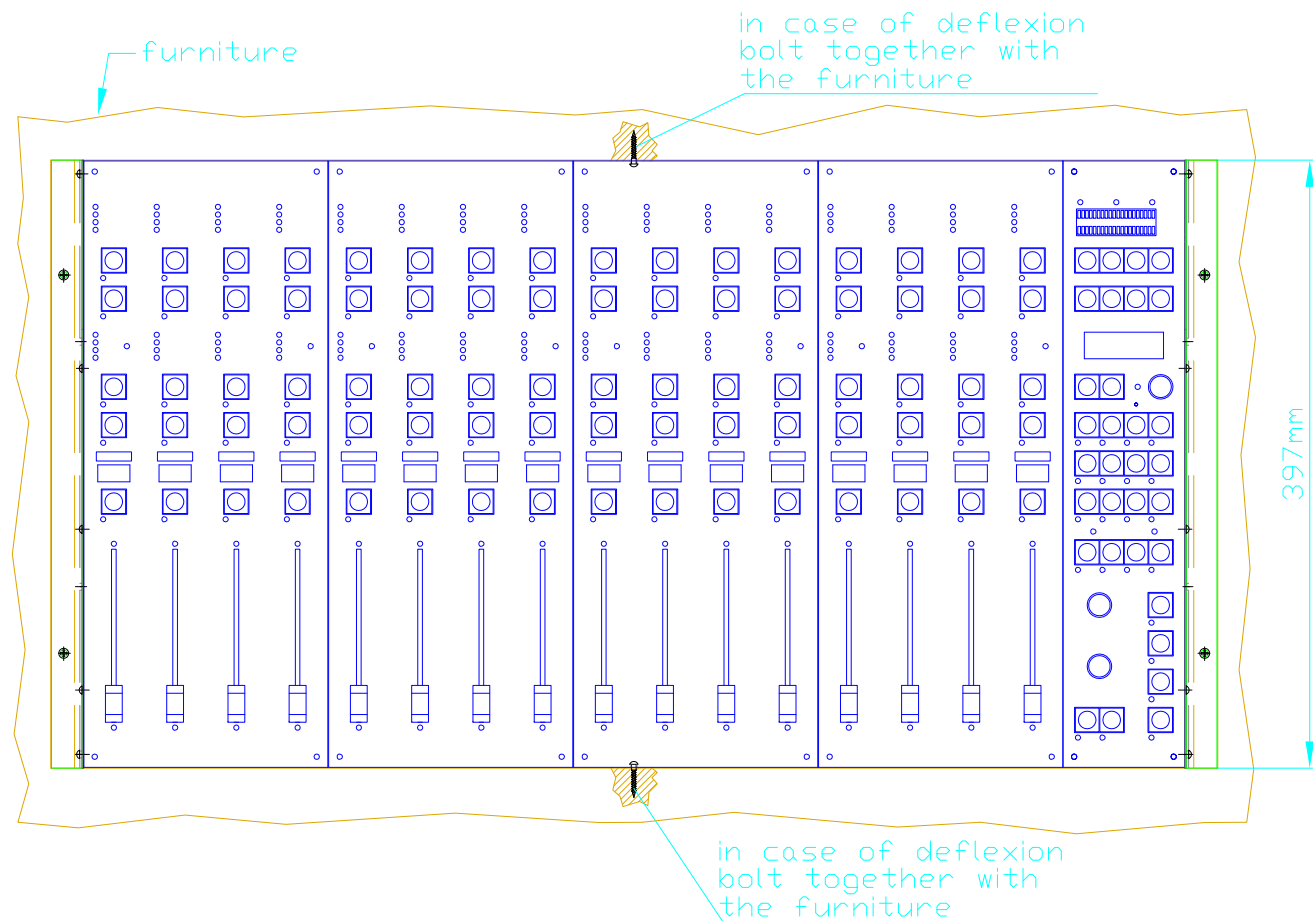
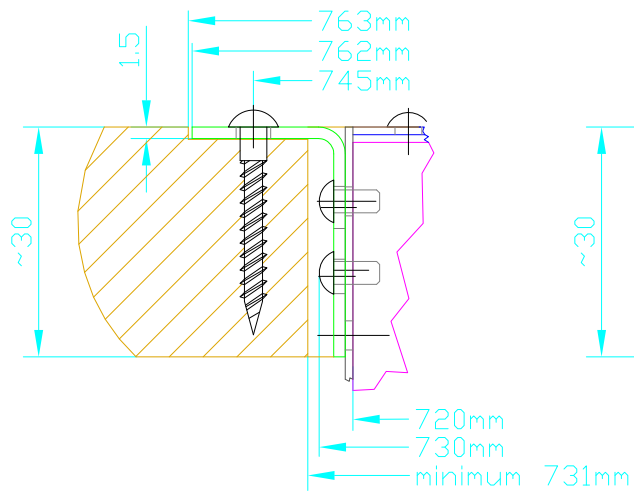


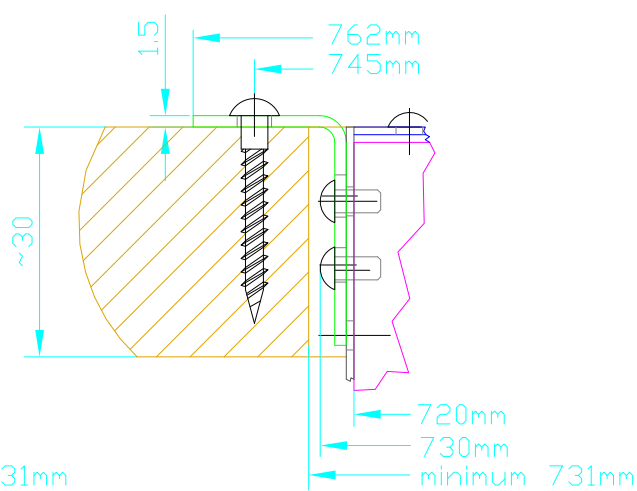
*) Please screw together cabinets RM220-F320 and RM220-F400!
Spare side covers and elbows cannot be taken back.



View X (scale 1:1)
(version 1)



View X (scale 1:1)
(version 2)



Notice:
For splitted console see drawings
rm220_f320_f400 or rm220_f16of320_f240.

DHD
Deubner Hoffmann Digital GmbH
Haferkornstrasse 5
04129 Leipzig / Germany
Phone: +49 341 5897020
Fax: +49 341 5897022
E-mail: dhd@dhd-audio.com
Internet: www.dhd-audio.com

Name: Miethling
Date: 09.08.2004
File: rm220_f320f400.dwg

Scale: 1:5 (DIN A3)

Dimension of Console RM2200D
Non-splitted console with 16 Faders

RM220-F320/RM220-F400
(1x Main Panel RM220-010, 4x Fader Panel RM220-020)